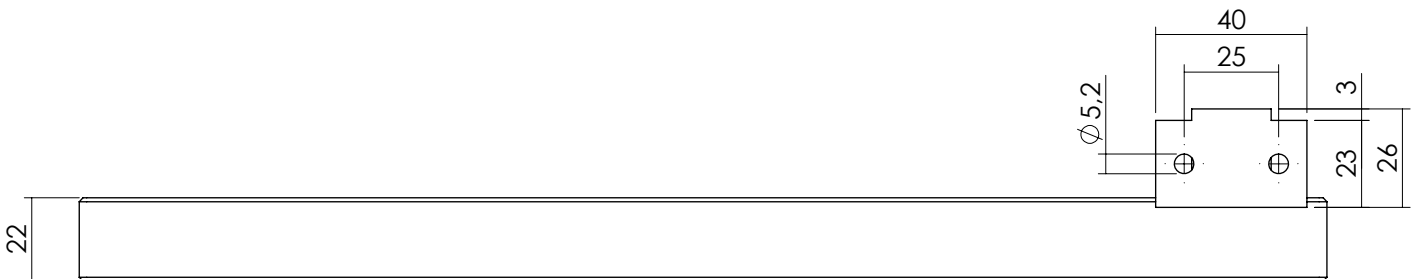
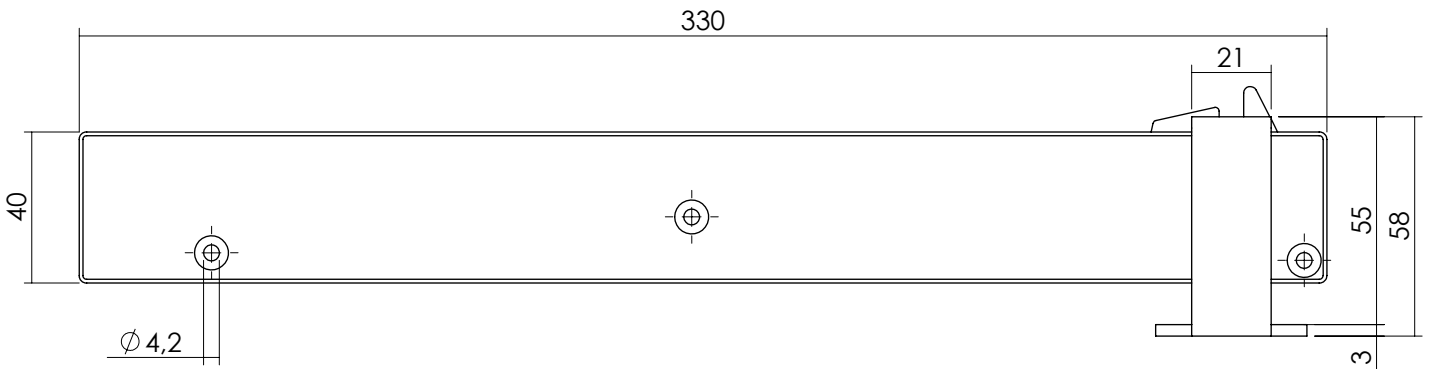
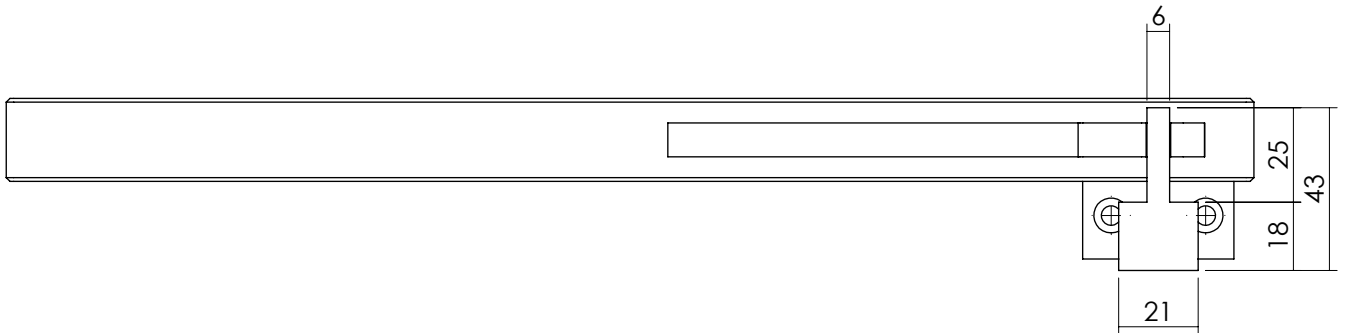


Isometric exploded view 1:5



Description **Sluitvertrager tbv schuifdeursysteem**

Article nr. **0023.450109**

Projection

Utrechtsestraatweg 220
NL-39111 TX Rhenen

Material

Drawn By **JP**

Date **30-01-2017**

File Name **SW_00216106**

PD

General tolerance according to ISO 2768 - Medium, unless otherwise specified

Page	1/1	Scale	1:2
		Size	A4

P.O. Box 128
NL-3910 AC Rhenen
The Netherlands
www.intersteel.nl