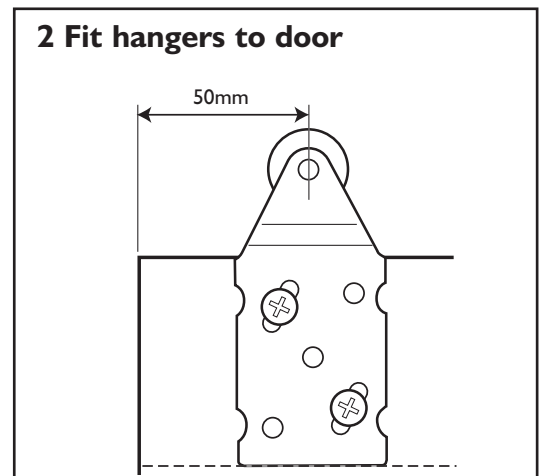
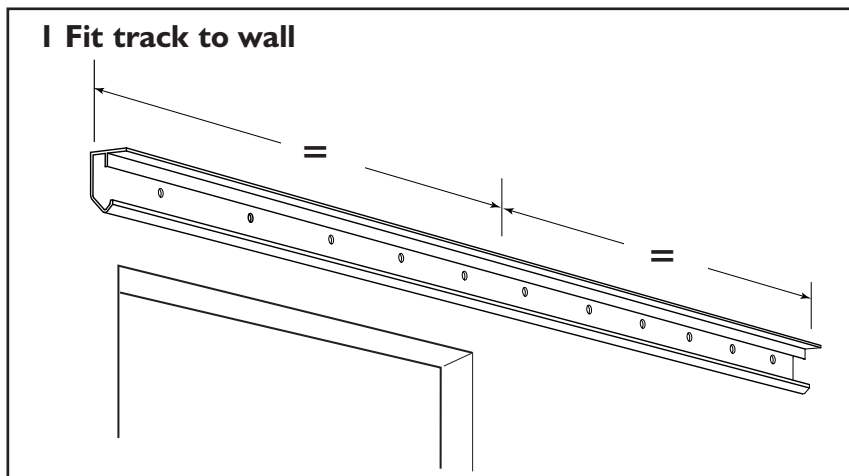
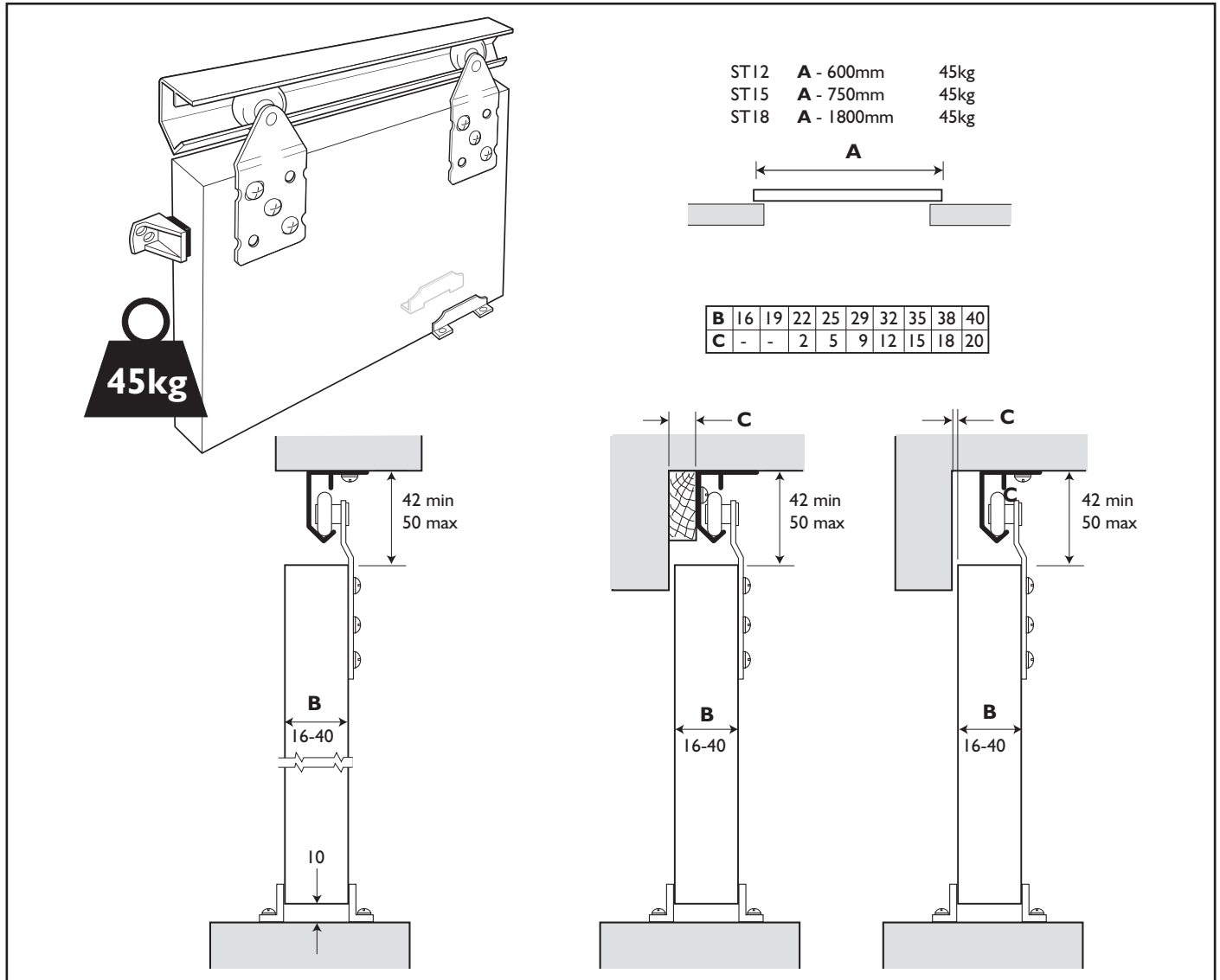


FITTING INSTRUCTIONS - NOTICE DE POSE - MONTAGE HANDLEIDING - MONTAGEANLEITUNG  
ISTRUZIONI DI MONTAGGIO - INSTUCCIONES DE MONTAJE

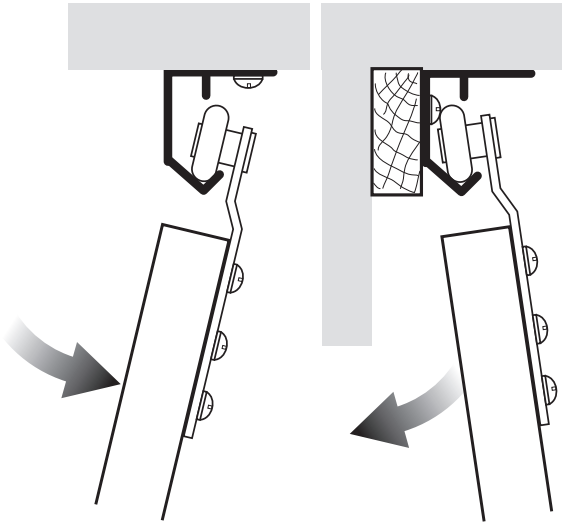
## WATCH THE INSTALLATION VIDEO

Visit: <https://www.youtube.com/watch?v=0WySmgWELu0>

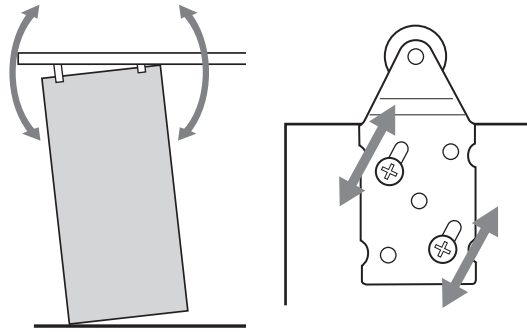
Or scan the QR code using your phone



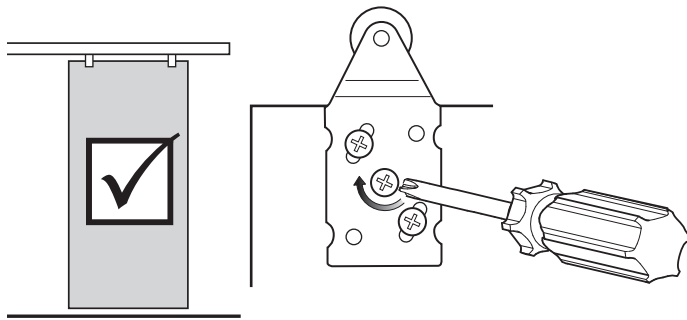
### 3 Position door into track



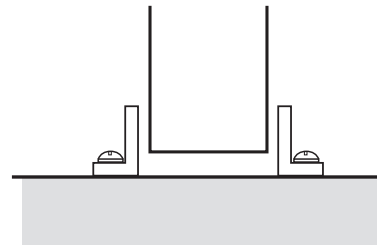
### 4 Adjust door height



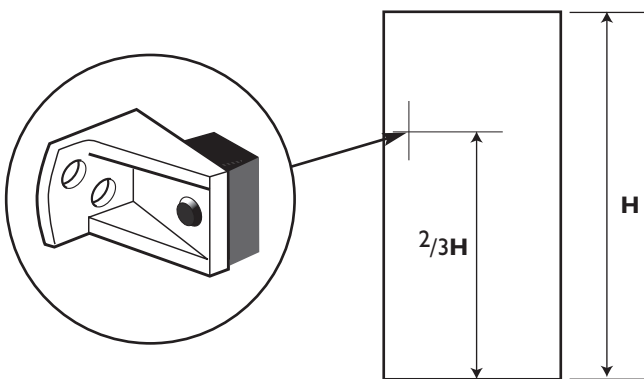
### 5 Lock the hangers when the door is in position



### 6 Centre door between guides



### 7 Fit door stop



(All dimensions are in mm.)

