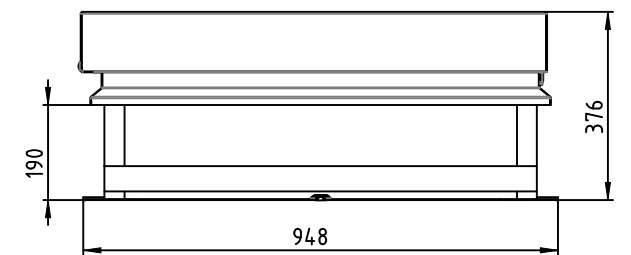
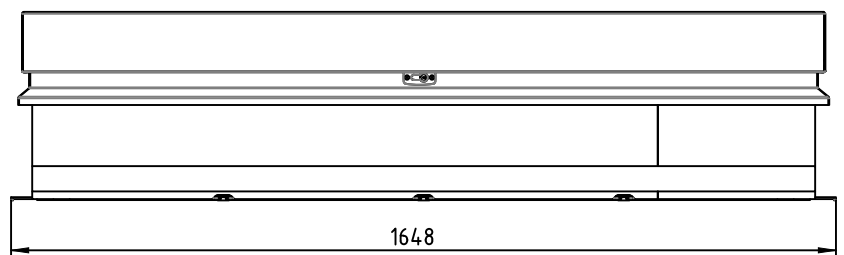
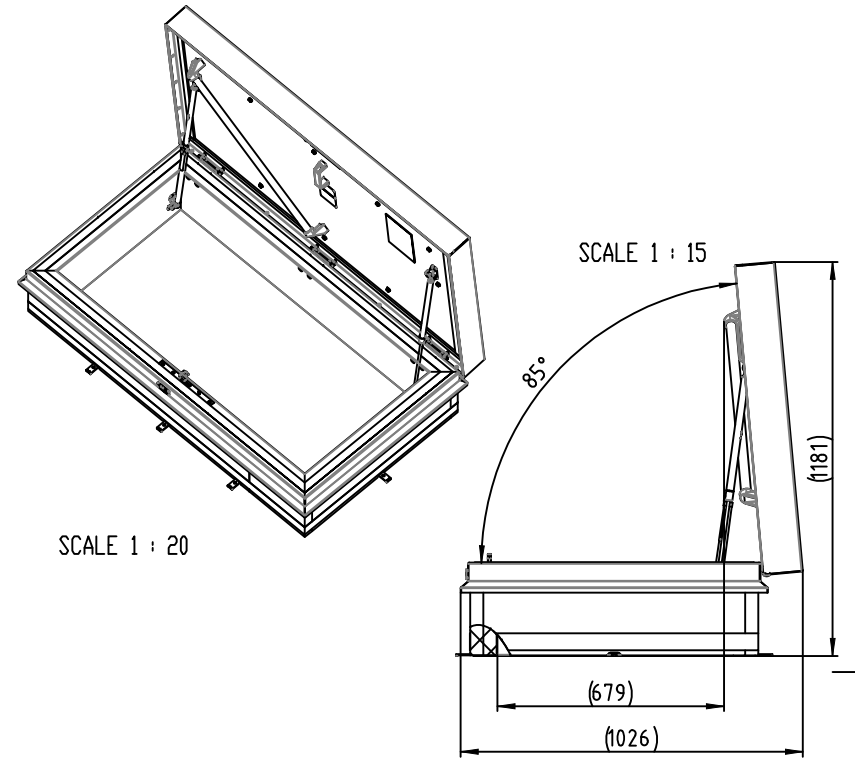
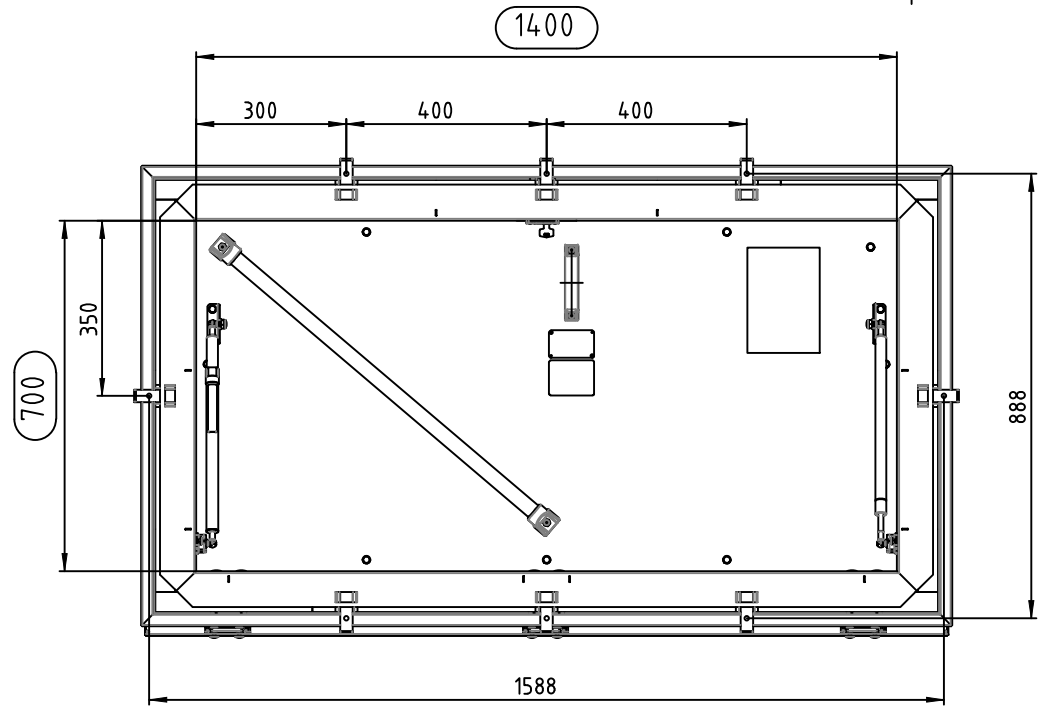


Copyright © 2017 by The Gortier Company BV - Schagen, the Netherlands
 All rights reserved. This drawing is the property of publisher and incorporates specifications and designs in which publisher has proprietary rights.
 No part may be reproduced, stored in a database or retrieval system or published in any form or any way without prior written permission from the publisher.



								The Gortier Company BV	
								PO Box 265 NL-1740 AG SCHAGEN www.gortiergroup.com E-mail: sales@gortiergroup.com Tel: +31 224 21 98 69 Fax: +31 224 21 98 61	
								Designation Roof Hatch RHT	
								Rev.	
								1/1	
								A3	
								Projection view	
								Scale	
								Drawing number	
								Rev.	
								1:10	
								RHT-0700-1400-00000 00	