

MOVEMENT AS IF BY MAGIC
INTEGRATED DOOR CLOSERS – GEZE BOXER RANGE



CONTENTS

Overview table for the GEZE Boxer range	4
GEZE Boxer	
Integrated door closer for single-leaf doors with a leaf width of up to 1400 mm	5
GEZE Boxer E	
Integrated door closer for single-leaf doors with a leaf width of up to 1400 mm, with electrical hold-open device	10
GEZE Boxer EFS	
Integrated door closer for single-leaf doors with a leaf width of up to 1400 mm, with electrical free swing function	14
GEZE Boxer ISM	
Integrated door closer system for double-leaf doors with a hinge clearance of up to 2800 mm featuring integrated closing sequence control	17
GEZE Boxer E-ISM	
Integrated door closer system for double-leaf doors with a hinge clearance of up to 2800 mm featuring integrated closing sequence control and electrical hold-open device	25
GEZE Boxer ISM-EFS	
Integrated door closer system for double-leaf doors with a hinge clearance of up to 2800 mm featuring integrated closing sequence control and electrical free swing function on the active leaf	33
GEZE Boxer P	
Integrated door closer for single-leaf double-action doors with a leaf width of up to 1100 mm	39
GEZE Boxer pivot bearing	42
GEZE smoke switch control unit RSZ6 / RSZ6 ECwire	44

Overview table for the GEZE Boxer range

	For single-leaf doors						For double-leaf doors		
	Boxer size 2-4 / 2-4 2V	Boxer size 3-6	Boxer E size 2-4	Boxer E Gr. 3-6	Boxer EFS	Boxer P	Boxer ISM	Boxer E-ISM	Boxer ISM-EFS
Approval for fire and smoke protection doors ¹⁾	•	•	•	•	•	•	•	•	•
Barrier-free in accordance with DIN 18040 up to leaf width (max.) in mm	EN4 1100	EN4 1100	FSA	FSA	FSA FL	EN4 1100	EN4 1100	FSA	FSA FL
Closing force in accordance with EN 1154	2-4	3-6	2-4	3-6	4-6	2-4	2-4/3-6	2-4/3-6	4-6/ 3-6 (2-4)
Door leaf width (max.) in mm	1100	1400	1100	1400	1400	1100	1100/1400	1100/1400	1400/ 1400 (1100)
Leaf weight (max.) in kg	130	180	130	180	180	80	130/180	130/180	180/ 180 (130)
Application possibilities									
Closer body integrated in the door leaf	•	•	•	•	•	•	•	•	•
Guide rail integrated in the door frame	•	•	•	•	•	•	•	•	•
Opening angle (max.)	120°	120°	120°	120°	120°	120°	120°	120°	120°
Functions									
Closing force, adjustable	•	•	•	•	•	•	•	•	•
Back check, adjustable	•	•	•	•	•	•	•	•	•
Latching action, adjustable	•	•	•	•	•	•	•	•	•
Closing speed, adjustable	•	•	•	•	•	•	•	•	•
Mechanical hold-open device ²⁾	•	•				•	•		
Electric hold-open device			•	•				•	
Electric hold-open device for free swing					•				•
Mechanical closing sequence control, integrated							•	•	•
Flexible opening restriction			•	•	•		•	•	•

• = yes

¹⁾ For fire and smoke protection doors an additional suitability certificate is required for the door.

²⁾ Can be retrofitted, not to fire and smoke protection doors

FSA = Hold-open system

FSA FL = Free swing hold-open system

GEZE Boxer

Integrated door closer for single-leaf doors with a leaf width of up to 1400 mm

The GEZE Boxer integrated door closer for single-leaf doors is incorporated discreetly into the door leaf and frame. The guide rail and lever are only visible when the door is open. Once the door is installed, the closing force and speed, latching action and hydraulic back check can be conveniently adjusted from the top. The door closer can be used for right and left single-action doors without any need for conversion.

An additional door suitability certificate is required for fire protection doors. The door must be limited at an opening angle of about 120°.

Optional:

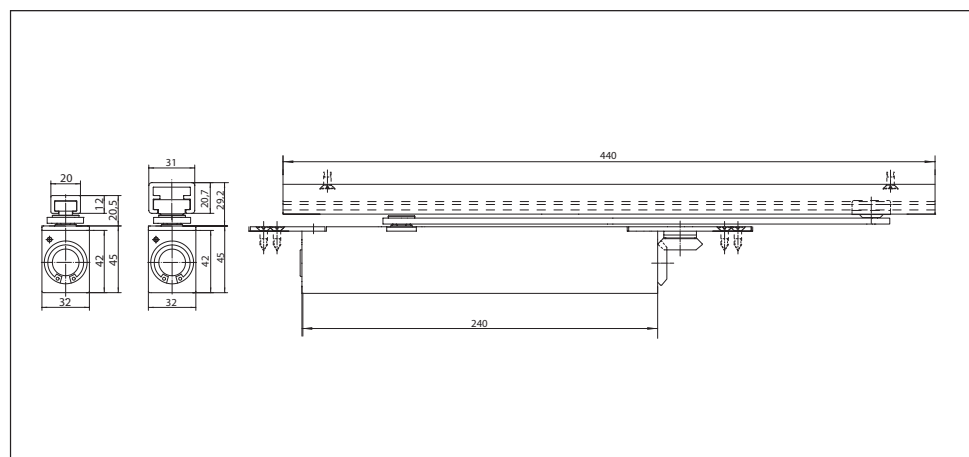
Mechanical hold-open device

The hold-open angle can be set anywhere between about 80° and 120°, the hold-open retention force is adjustable.

Please note: Not permitted for use on fire protection doors.

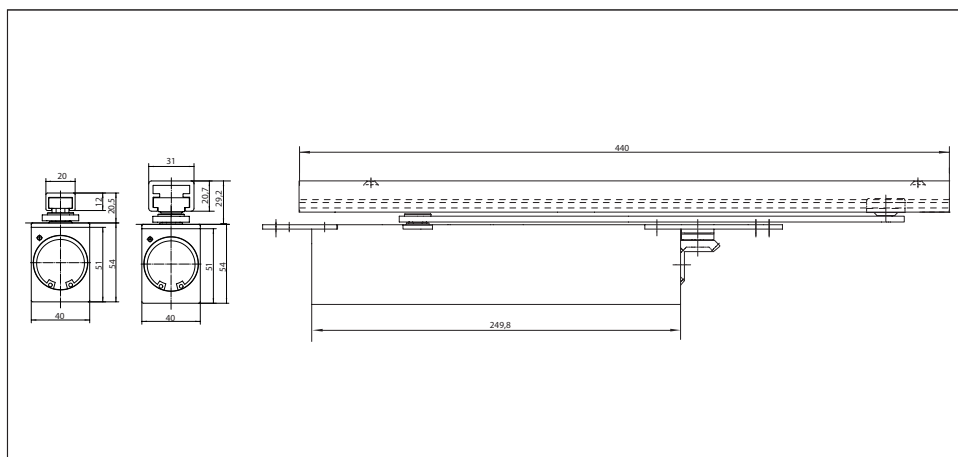


GEZE Boxer



Size 2-4

GEZE BOXER



Size 3-6

Application range

- For right and left hung doors without the need for conversion
- Closer size 2-4 for interior doors up to a leaf width of 1100 mm and a leaf weight of 130 kg
- Closer size 2-4 2V with independent latching action valve. This makes it possible to increase and reduce the latching action speed (brake-to-stop function).
- Closer size 3-6 for interior and exterior doors up to a leaf width of 1400 mm and a leaf weight of 180 kg
- Door leaf thickness from 40 mm for size 2-4, from 50 mm for size 3-6
- For fire protection doors with appropriate suitability certificate

Closer technical data

Product features	GEZE Boxer 2-4 closer	GEZE Boxer 2-4 2V closer	GEZE Boxer 3-6 closer
Closing force in accordance with EN 1154	2 - 4	2 - 4	3 - 6
Leaf width recommended up to	1100 mm	1100 mm	1400 mm
Leaf weight recommended up to	130 kg	130 kg	180 kg
Minimum leaf thickness	40 mm	40 mm	50 mm
Same version for DIN left and DIN right	•	•	•
Product tested in accordance with	Door closer tested in accordance with EN 1154		
Length	286 mm	286 mm	293 mm
Installation depth	32 mm	32 mm	40 mm
Height	45 mm	45 mm	54 mm

Functions

Adjustable closing force	Yes, infinitely variable		
Adjustable closing speed	•	•	•
Adjustable latching action	Yes, via valve		
Integrated back check	Yes, hydraulically adjustable		
Closing force adjustment position	Top		
Safety valve to protect against vandalism	•	•	•
Valve control for regulating the latching action speed		•	

Guide rail technical data

Product features	Boxer guide rail 12 mm	Boxer guide rail 20,7 mm
For use on single-action/double-action doors	Single-action door	
Length	440 mm	
Installation depth	20 mm	31 mm
Height	12 mm	20,7 mm

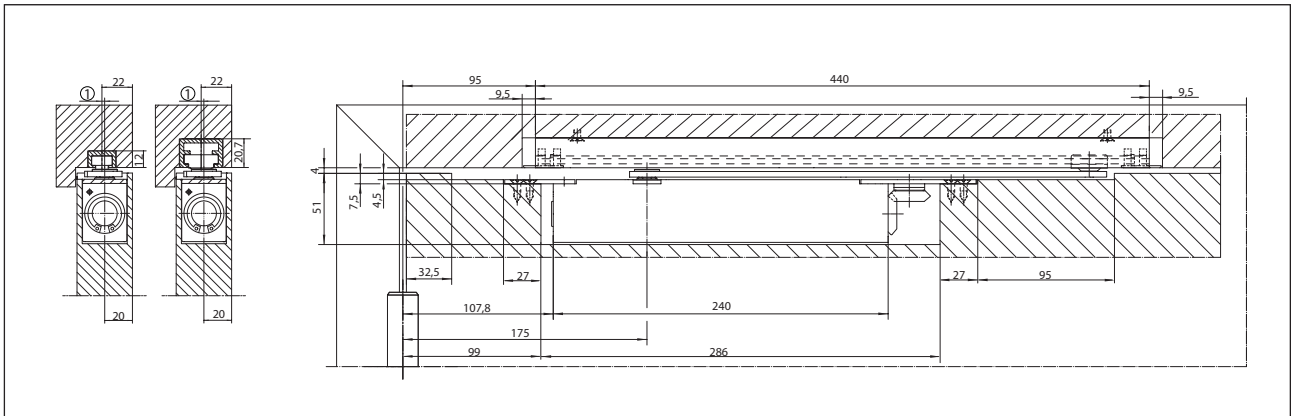
Functions

Integrated opening restrictor	○	○
Integrated hold-open device	○	○

- = Optional
 ● = Standard

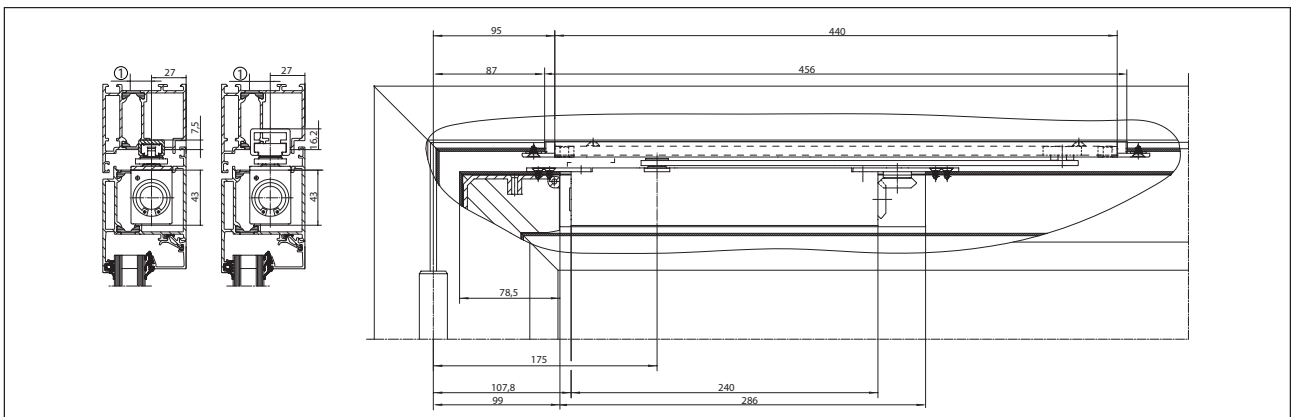
Installation drawings

Boxer size 2-4



Installation on wooden door

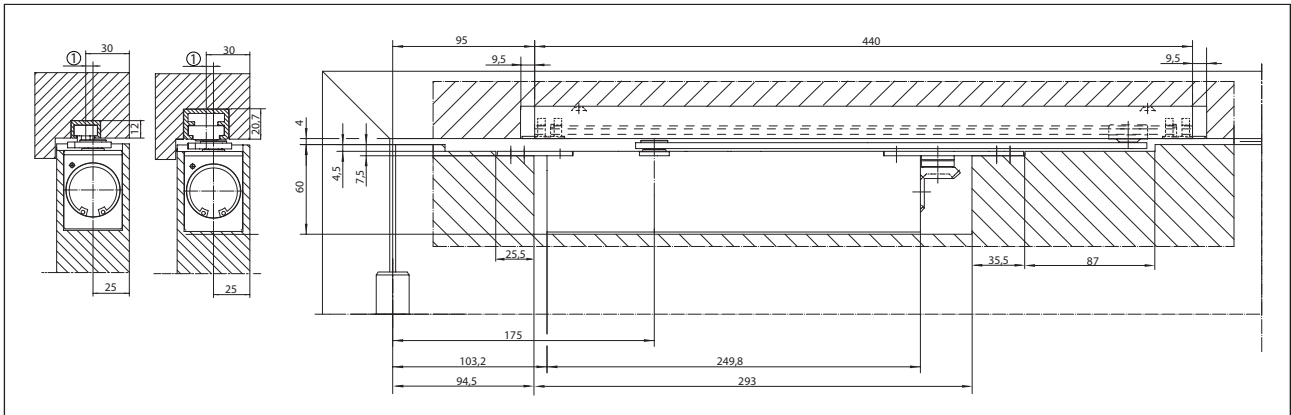
(1) = Guide rail offset: max. 10 mm



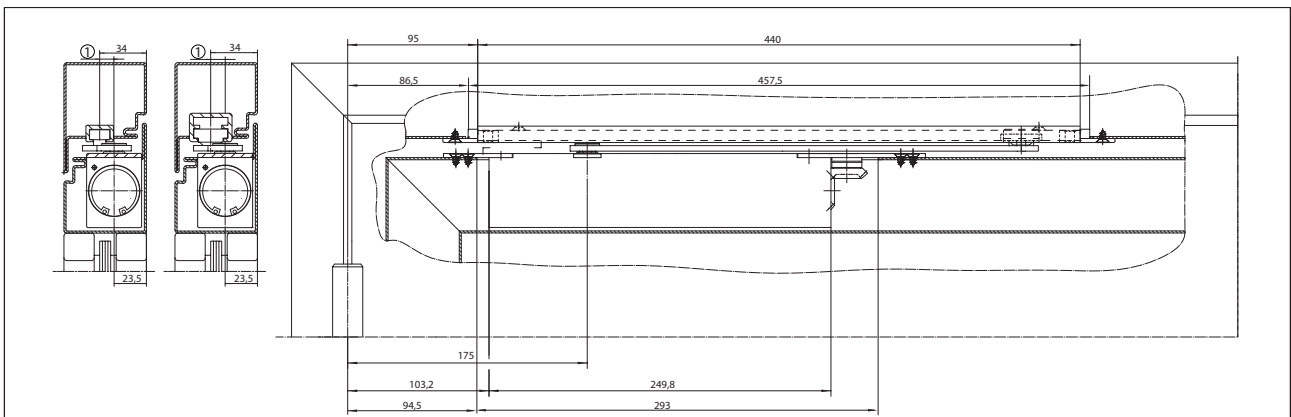
Installation on metal door

(1) = Guide rail offset: max. 10 mm

Boxer size 3-6



Installation on wooden door
 (1) = Guide rail offset: max. 10 mm



Installation on metal door
 (1) = Guide rail offset: max. 10 mm

GEZE Boxer – Order information

Description	Spindle extension	Version	ID no.
GEZE Boxer 2-4 closer Size EN 2-4 with back check (without guide rail)	0 mm		099728
	4 mm		101759
	8 mm		101760
GEZE Boxer 2-4 2V closer Size EN 2-4 with back check and independent latching action valve (end brake also possible, without guide rail)	0 mm		134448
	4 mm		134493
	8 mm		134494
GEZE Boxer 3-6 closer Size EN 3-6 with back check (without guide rail)	0 mm		099735
	4 mm		101761
	8 mm		101762
Boxer guide rail, 12 mm with lever, installation height: 12 mm		silver-coloured	129213
		acc. to RAL ¹⁾	135732
Boxer guide rail, 20,7 mm with lever, installation height: 20,7 mm		silver-coloured	112161
Boxer guide rail, 20.7 mm with lever and mechanical hold-open device, installation height: 20.7 mm		silver-coloured	095141
		acc. to RAL ¹⁾	135689
Accessories			
Mechanical hold-open unit for Standard / T-Stop / Boxer 20.7 mm guide rail, adjustable retention force, can be activated/deactivated and overridden			071924
Mechanical hold-open unit for Boxer 12 mm guide rail, adjustable retention force, cannot be overridden			129145
Flexible opening restrictor for lightweight doors for riveted, Standard BG and Boxer 20.7 mm guide rails			069780
Flexible opening restrictor for lightweight doors for Boxer 12 mm guide rail			129343

¹⁾ Surcharge for special RAL colours, see general information



VitraHaus, Weil am Rhein, Germany (Photo: Oliver Look)

GEZE BOXER

GEZE Boxer E

Integrated door closer for single-leaf doors with a leaf width of up to 1400 mm, with electrical hold-open device

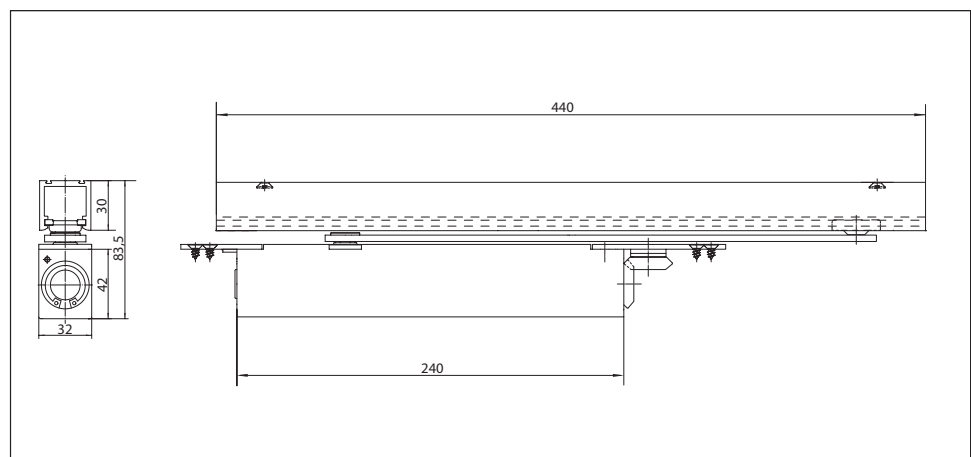
The GEZE Boxer integrated door closer with electrical hold-open device in the guide rail is suitable for single-leaf doors and is incorporated discreetly into the door leaf and frame. The E guide rail with electrical hold-open device is tested in accordance with EN 1155 and only visible when the door is open. The retention force of the hold-open mechanism is infinitely adjustable; the hold-open point can be set anywhere between about 80° and about 120°. The hold-open point can be overridden, i.e. the door can be opened wider if needed.

Once the door is installed, the closing force and speed, latching action and hydraulic back check can be conveniently adjusted from the top. The door closer can be used for right and left single-action doors without any need for conversion.

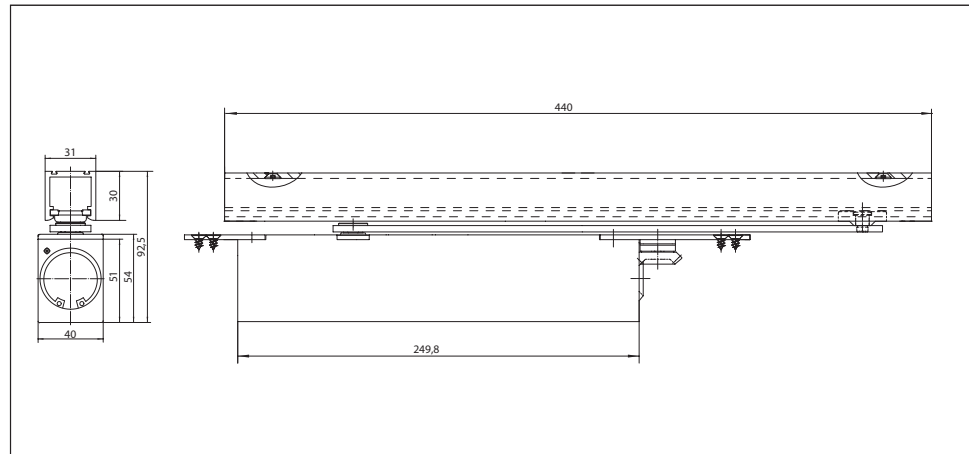
An additional door suitability certificate is required for fire protection doors. The Boxer E is building code approved with the GEZE smoke switch control units RSZ6. The door opening must be limited at an opening angle of about 120°.



GEZE Boxer E



Size 2-4



Size 3-6

Application range

- For right and left hung doors without the need for conversion
- Closer size 2-4 for interior doors up to a leaf width of 1100 mm and a leaf weight of 130 kg
- Closer size 2-4 2V with independent latching action valve. This makes it possible to increase and reduce the latching action speed (brake-to-stop function).
- Closer size 3-6 for interior and exterior doors up to a leaf width of 1400 mm and a leaf weight of 180 kg
- Door leaf thickness from 40 mm for size 2-4, from 50 mm for size 3-6
- For fire protection doors with appropriate suitability certificate

Closer technical data

Product features	GEZE Boxer 2-4 closer	GEZE Boxer 2-4 2V closer	GEZE Boxer 3-6 closer
Closing force in accordance with EN 1154	2 - 4	2 - 4	3 - 6
Leaf width recommended up to	1100 mm	1100 mm	1400 mm
Leaf weight recommended up to	130 kg	130 kg	180 kg
Minimum leaf thickness	40 mm	40 mm	50 mm
Same version for DIN left and DIN right	•	•	•
Product tested in accordance with	Door closer tested in accordance with EN 1154		
Length	286 mm	286 mm	293 mm
Installation depth	32 mm	32 mm	40 mm
Height	45 mm	45 mm	54 mm

Functions

Adjustable closing force	Yes, infinitely variable		
Adjustable closing speed	•	•	•
Adjustable latching action	Yes, via valve		
Integrated back check	Yes, hydraulically adjustable		
Closing force adjustment position	Top		
Safety valve to protect against vandalism	•	•	•
Valve control for regulating the latching action speed		•	

○ = Optional

● = Standard

GEZE BOXER

Guide rail technical data

Product features	Boxer E guide rail
For use on single-action/double-action doors	Single-action door
Supply voltage	24V DC
Enclosure rating	IP 43
Product tested in accordance with	Hold-open mechanism tested in accordance with EN 1155
Length	440 mm
Installation depth	31 mm
Height	30 mm

Functions

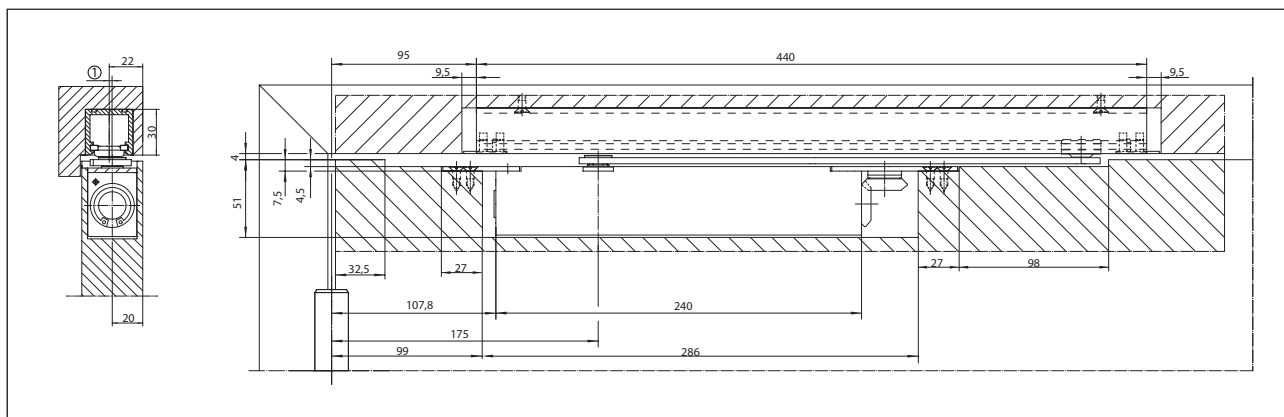
Integrated hold-open device	Electrical
Hold-open device, can be activated or deactivated	●
Hold-open device can be overridden	●

○ = Optional

● = Standard

Installation drawings

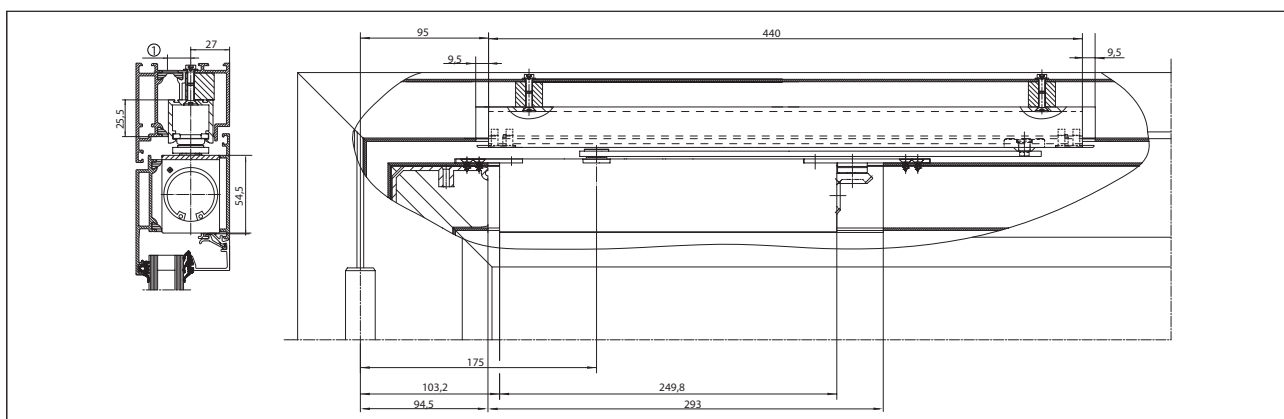
Boxer E size 2-4



Installation on wooden door

(1) = Guide rail offset: max. 10 mm

Boxer E size 3-6



Installation on metal door

(1) = Guide rail offset: max. 10 mm

GEZE Boxer E – Order information

Description	Spindle extension	Version	ID no.
GEZE Boxer 2-4 closer Size EN 2-4 with back check (without guide rail)	0 mm		099728
	4 mm		101759
	8 mm		101760
GEZE Boxer 2-4 2V closer Size EN 2-4 with back check and independent latching action valve (end brake also possible, without guide rail)	0 mm		134448
	4 mm		134493
	8 mm		134494
GEZE Boxer 3-6 closer Size EN 3-6 with back check (without guide rail)	0 mm		099735
	4 mm		101761
	8 mm		101762
Boxer E guide rail with lever and electrical hold-open		silver-coloured	119640
		acc. to RAL ²⁾	135775
Accessories			
GEZE flexible opening restrictor for guide rail 1-leaf: TS 5000 E/R/RFS (leaf installation), Boxer E; 2-leaf: all E/R/ISM variants TS 5000 and Boxer			145311
GEZE smoke switch control unit RSZ6 Smoke switch and energy supply for all GEZE hold-open mechanisms		silver-coloured	099851
		white RAL 9016	099858
		Stainless steel effect ¹⁾	099856
		acc. to RAL ²⁾	099859
Set smoke switch control unit RSZ 6 ECwire Smoke switch control unit ECwire for straightforward wiring with 2-wire technology incl. 2 ceiling-mounted smoke detectors GC 162 (white)		silver-coloured	154976
		white RAL 9016	154979
		Stainless steel effect ¹⁾	154991
		acc. to RAL ²⁾	154980
GEZE smoke detector GC 152 Complete with base, 24 V DC, 20 mA, tested to EN54-7, with general approval for use with all GEZE hold-open systems, integrated line control, conform with DIN EN 14637		white	139850
GEZE thermal detector GC 153 Complete with base, 24 V DC, 20 mA, tested to EN54-5, with general approval for use with all GEZE hold-open systems, integrated line control, conform with DIN EN 14637		white	139881
GEZE manual trigger switch Concealed version, for the manual release of electrically controlled hold-open devices including terminating resistance for line monitoring		Alpine white	116266
Single surface-mounted socket matches the AS500 switch range			120503
GEZE manual trigger switch with glass pane and 5 interchangeable labels Concealed version, for the manual release of electrically controlled hold-open devices including terminating resistance for line monitoring		Alpine white	120880
Replacement glass pane for GEZE circuit breaker 120880			010994

1) Only suitable for dry rooms

2) Surcharge for special RAL colours, see general information

GEZE Boxer EFS 4-6

Size EN 4-6, with electric free swing function incl. free swing lever with comfort hold-open function

The free swing function offered by the integrated door closer Boxer EFS EN4-6 enables barrier-free passage through 1-leaf doors. The door closer is embedded completely in the door leaf and frame. The guide rail and the lever are therefore not visible when the door is closed. The free swing function allows doors to be used with minimum resistance in the direction of opening or closing e.g. in homes for the elderly or hospitals after the door has been opened once (such as in the morning). The door closer can be used for right and left single-action doors without any need for conversion. Once installed, the closing speed, latching action and mechanical back check in the guide rail can be adjusted.

The Boxer EFS size EN 4-6 for single leaf doors offers the perfect combination of new, integrated comfort hold-open function, which allows the door to be lightly held in place at the end of the free swing area, and the tried-and-trusted GEZE free swing function. Light holding by means of the comfort hold-open function prevents the door closing inadvertently in a draught. The fire protection function is not affected, if an alarm is triggered the door closes safely.

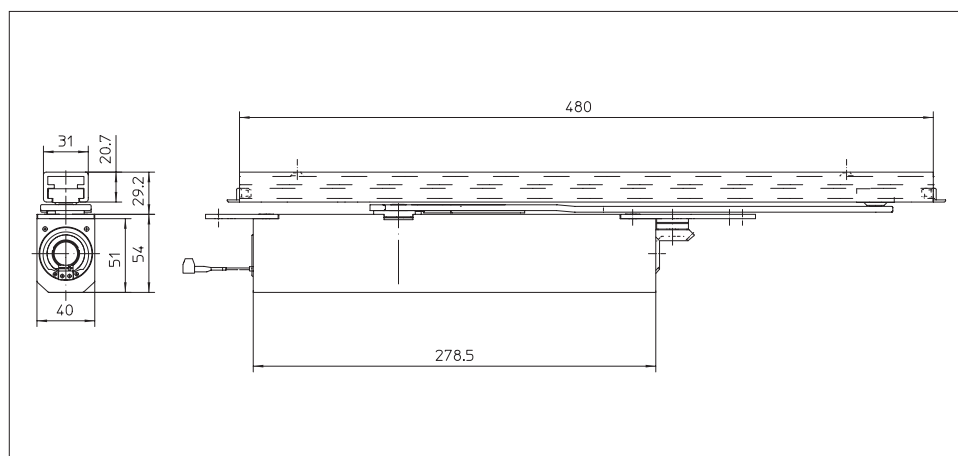
An additional door suitability certificate is required for fire protection doors. The closer is tested in accordance with EN 1155 and building code approved for use with the GEZE smoke switch control unit RSZ6. The door must be limited at an opening angle of about 120°.

Please note:

According to the general DIBt official building approval for hold-open systems, the use of a circuit breaker for free swing door closers is compulsory.



GEZE Boxer EFS



Application range

- Can be used for doors mounted on the right or left without conversion
- Closer size 4-6 for doors up to 1400 mm leaf width and 180 kg leaf weight
- Door leaf thickness from 50 mm
- For fire protection doors with respective suitability certificate
- With comfort hold-open function to latch the door at the maximum opening angle

Closer technical data

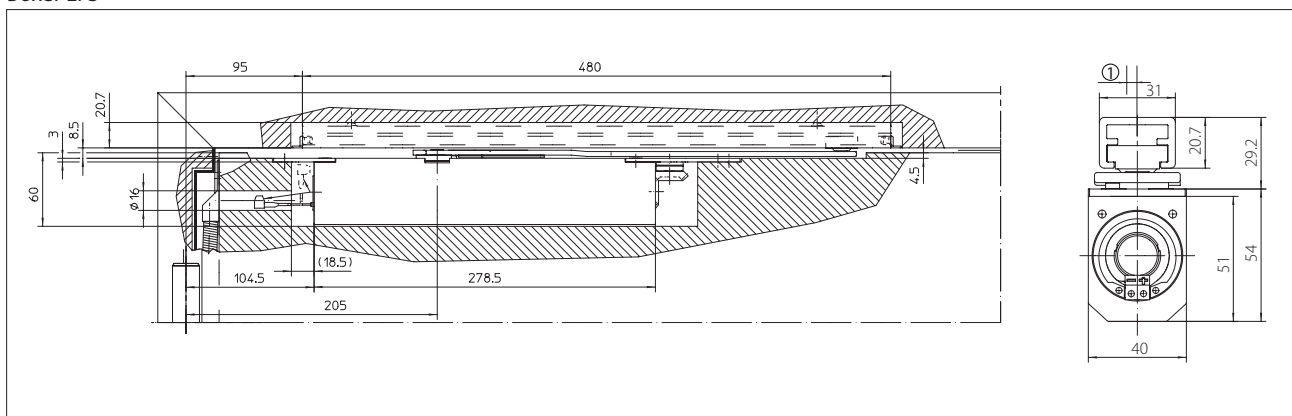
Product features	GEZE Boxer EFS complete package
Closing force in accordance with EN 1154	4-6
Leaf width recommended up to	1400 mm
Leaf weight recommended up to	180 kg
Minimum leaf thickness	50 mm
Same version for DIN left and DIN right	●
Supply voltage	24V DC
Enclosure rating	IP 43
Product tested in accordance with	Door closer tested in accordance with EN 1154 Hold-open mechanism tested in accordance with EN 1155
Length	332 mm
Installation depth	40 mm
Height	54 mm
Functions	
Adjustable closing force	Yes
Adjustable closing speed	●
Adjustable latching action	Yes, via valve
Integrated back check	Yes, mechanically in the guide rail
Safety valve to protect against vandalism	●
Integrated hold-open device	electrical / for free swing function

○ = Optional

● = Standard

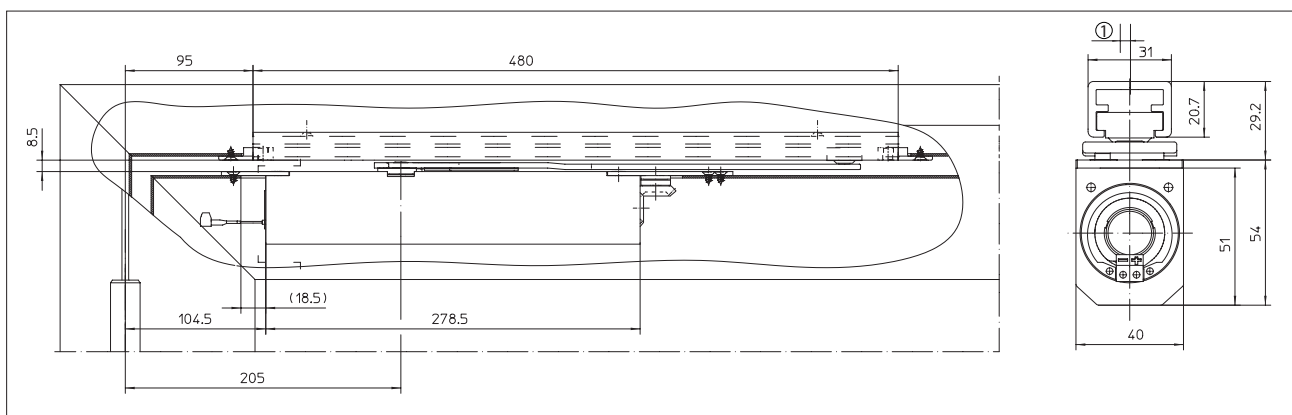
Installation drawings

Boxer EFS



Installation on wooden door

(1) = Guide rail offset: max. 10 mm



Installation on metal door

(1) = Guide rail offset: max. 10 mm

GEZE BOXER

GEZE Boxer EFS – Order information

Description	Version	ID no.
GEZE Boxer EFS Size EN 4, with electric free swing function incl. free swing lever with comfort hold-open function		153559
Guide rail Boxer EFS 12 mm Overall height 12 mm, for Boxer EFS 4-6		153560
Guide rail Boxer EFS 20.7 mm Overall height 20.7 mm, for Boxer EFS 4-6		153571
Accessories		
GEZE spindle extension Boxer EFS 4-6	4 mm	153573
	8 mm	153574
GEZE smoke switch control unit RSZ 6 Smoke switch and power supply for all GEZE hold-open mechanisms	silver-coloured	099851
	white RAL 9016	099858
	simulated stainless steel	099856
	acc. to RAL	099859
Set smoke switch control unit RSZ 6 ECwire Smoke switch control unit ECwire for straightforward wiring with 2-wire technology incl. 2 ceiling-mounted smoke detectors GC 162 (white)	silver-coloured	154976
	white RAL 9016	154979
	simulated stainless steel	154991
	acc. to RAL	154980
GEZE smoke detector GC 152 Complete with base, 24 V DC, 20 mA, tested in accordance with EN54-7, with general approval for use with all GEZE hold-open systems, integrated line monitoring, in accordance with DIN EN 14637	white	139850
GEZE thermal detector GC 153 Complete with base, 24 V DC, 20 mA, tested in accordance with EN54-5, with general approval for use with all GEZE hold-open systems, integrated line control, in accordance with DIN EN 14637	white	139881
GEZE manual trigger switch AS 500 for the manual release of electrically controlled hold-open mechanisms including terminating resistance for line monitoring	alpine white/red	116266
GEZE manual trigger switch AS 500 (with glass pane and 5 interchangeable labels) for the manual release of electrically controlled hold-open mechanisms	alpine white/red	120880
Surface-mounted box, single Matching the AS 500 switch range	alpine white	120503
Replacement glass cover for GEZE manual trigger switch 120880 and 120881		010994

GEZE Boxer ISM

Integrated door closer system for double-leaf doors with a hinge clearance of up to 2800 mm featuring integrated closing sequence control

The GEZE Boxer ISM system for double-leaf doors consists of the Boxer 2-4 or Boxer 3-6 in the door leaves and the ISM guide rail with integrated mechanical closing sequence control in accordance with EN 1158 in the frame. The ISM guide rail is only visible when the door is open. On double-leaf doors it ensures that the active leaf always closes after the passive leaf. Once installed, the infinitely adjustable closing force, closing speed, latching action and hydraulic back check can be adjusted on the door closers. The system can be used on DIN left and right moving leaves without the need for conversion. In addition, the closing sequence control on the ISM guide rail is extremely resistant to vandalism, i.e. the system will not suffer damage even if the active leaf is consciously pushed closed from the waiting position.

An additional door suitability certificate is required for fire protection doors. The door must be limited at an opening angle of about 120°.

Optional:

Mechanical hold-open unit, can be retrofitted on both door leaves, adjustable hold-open retention force, the hold-open point can be overridden, i.e. the door can be opened wider if needed.

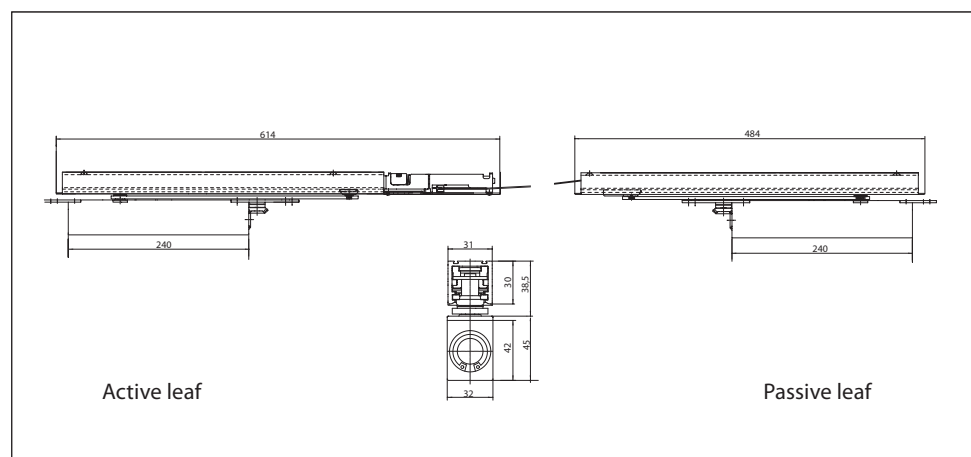
Please note: Not permitted for use on fire and smoke protection doors.

Special versions

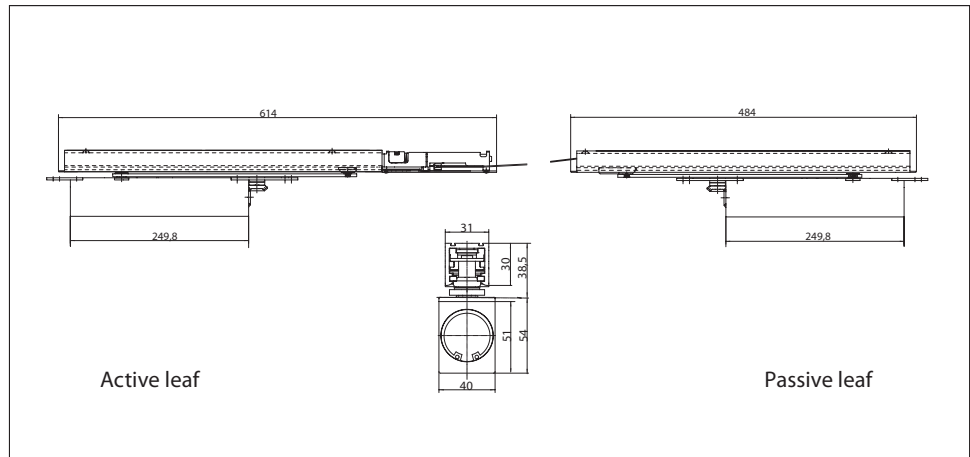
- For doors with narrow hinge clearance, from 1130 mm (opening angle max. 100°)
- For doors with small passive leaf, from 420 mm (opening angle of passive leaf max. 100°)



GEZE Boxer ISM

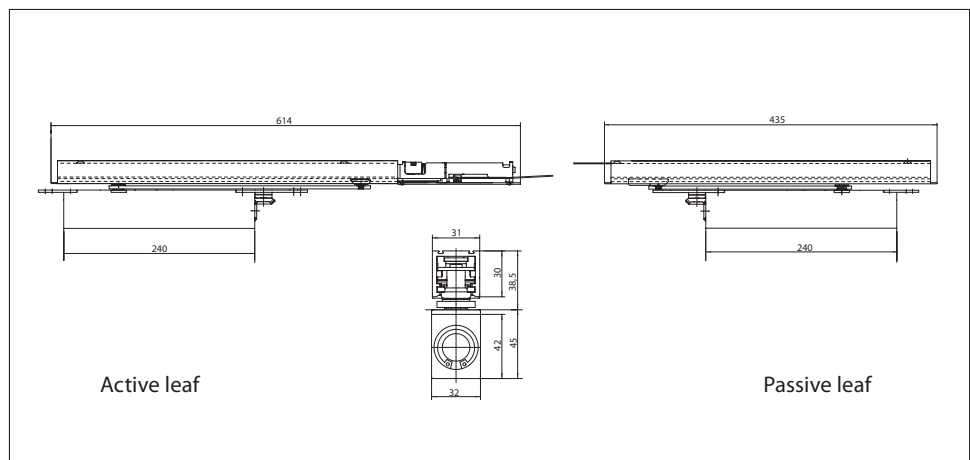


Size 2-4

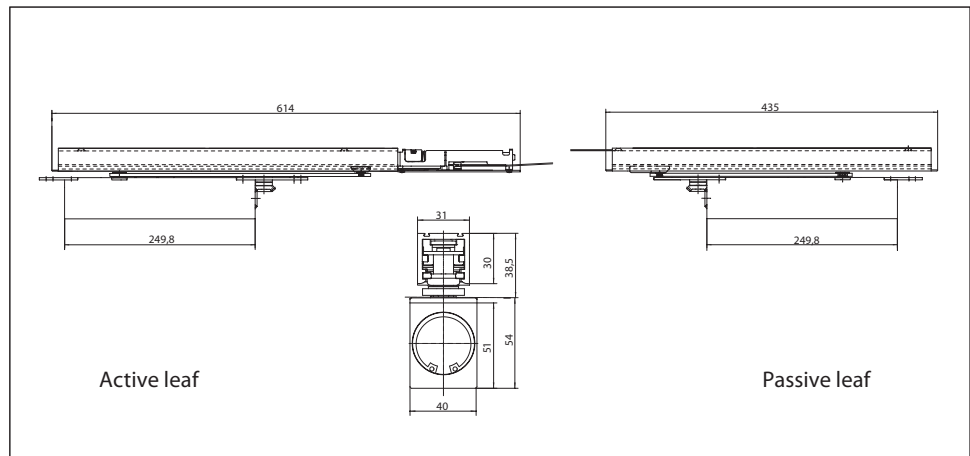


Size 3-6

**GEZE Boxer ISM
 for small passive leaf**

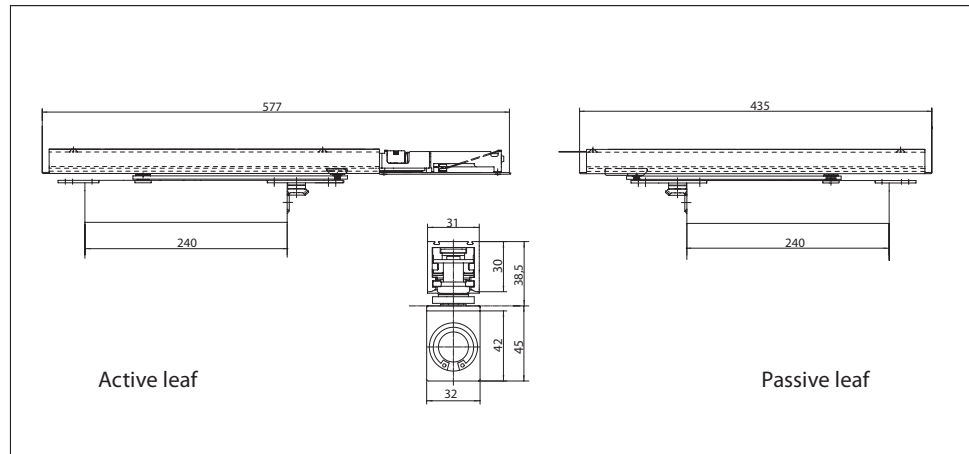


Size 2-4

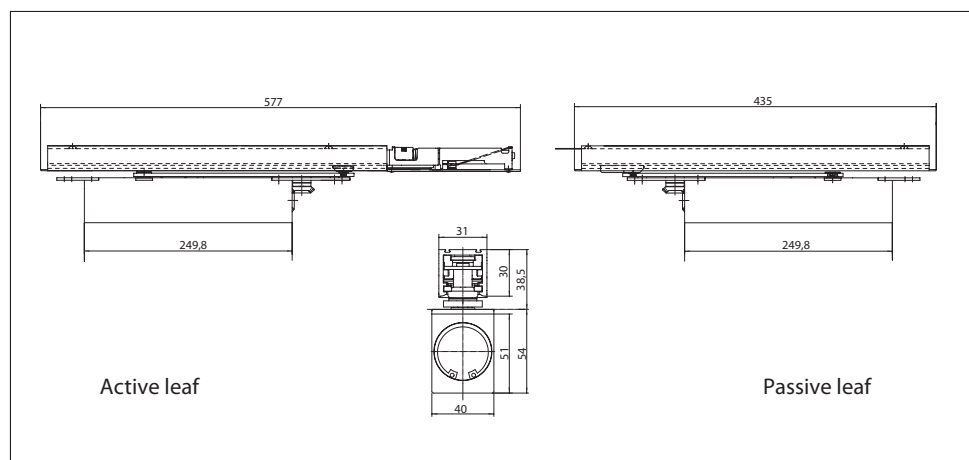


Size 3-6

GEZE Boxer ISM for small hinge clearance



Size 2-4



Size 3-6

Application range

- For double-leaf doors, leaf width of up to 1400 mm
- Min. hinge clearance = 1130 mm (version for small hinge clearance),
max. hinge clearance = 2800 mm
- Min. width of passive leaf 420 mm (version for small passive leaf)
- Closer size 2-4 for interior doors up to a leaf width of 1100 mm and a leaf weight of 130 kg
- Closer size 2-4 2V with independent latching action valve. This makes it possible to increase and reduce the latching action speed (brake-to-stop function).
- Closer size 3-6 for interior and exterior doors up to a leaf width of 1400 mm and a leaf weight of 180 kg
- Door leaf thickness from 40 mm for size 2-4, from 50 mm for size 3-6
- For fire protection doors with appropriate suitability certificate

GEZE BOXER

Closer technical data

Product features	GEZE Boxer 2-4 closer	GEZE Boxer 2-4 2V closer	GEZE Boxer 3-6 closer
Closing force in accordance with EN 1154	2 - 4	2 - 4	3 - 6
Leaf width recommended up to	1100 mm	1100 mm	1400 mm
Leaf weight recommended up to	130 kg	130 kg	180 kg
Minimum leaf thickness	40 mm	40 mm	50 mm
Same version for DIN left and DIN right	●	●	●
Product tested in accordance with	Door closer tested in accordance with EN 1154		
Length	286 mm	286 mm	293 mm
Installation depth	32 mm	32 mm	40 mm
Height	45 mm	45 mm	54 mm

Functions

Adjustable closing force	Yes, infinitely variable		
Adjustable closing speed	●	●	●
Adjustable latching action	Yes, via valve		
Integrated back check	Yes, hydraulically adjustable		
Closing force adjustment position	Top		
Safety valve to protect against vandalism	●	●	●
Valve control for regulating the latching action speed		●	

Guide rail technical data

Product features	Boxer ISM guide rail	Boxer ISM guide rail, version for small hinge clearance	Boxer ISM guide rail, version for small passive leaf
Minimum hinge clearance	1300 mm	1130 mm	1230 mm
Minimum width of passive leaf	540 mm	420 mm	420 mm
Product tested in accordance with	Closing sequence controller tested in accordance with EN 1158		
Installation depth	31 mm		
Height	30 mm		

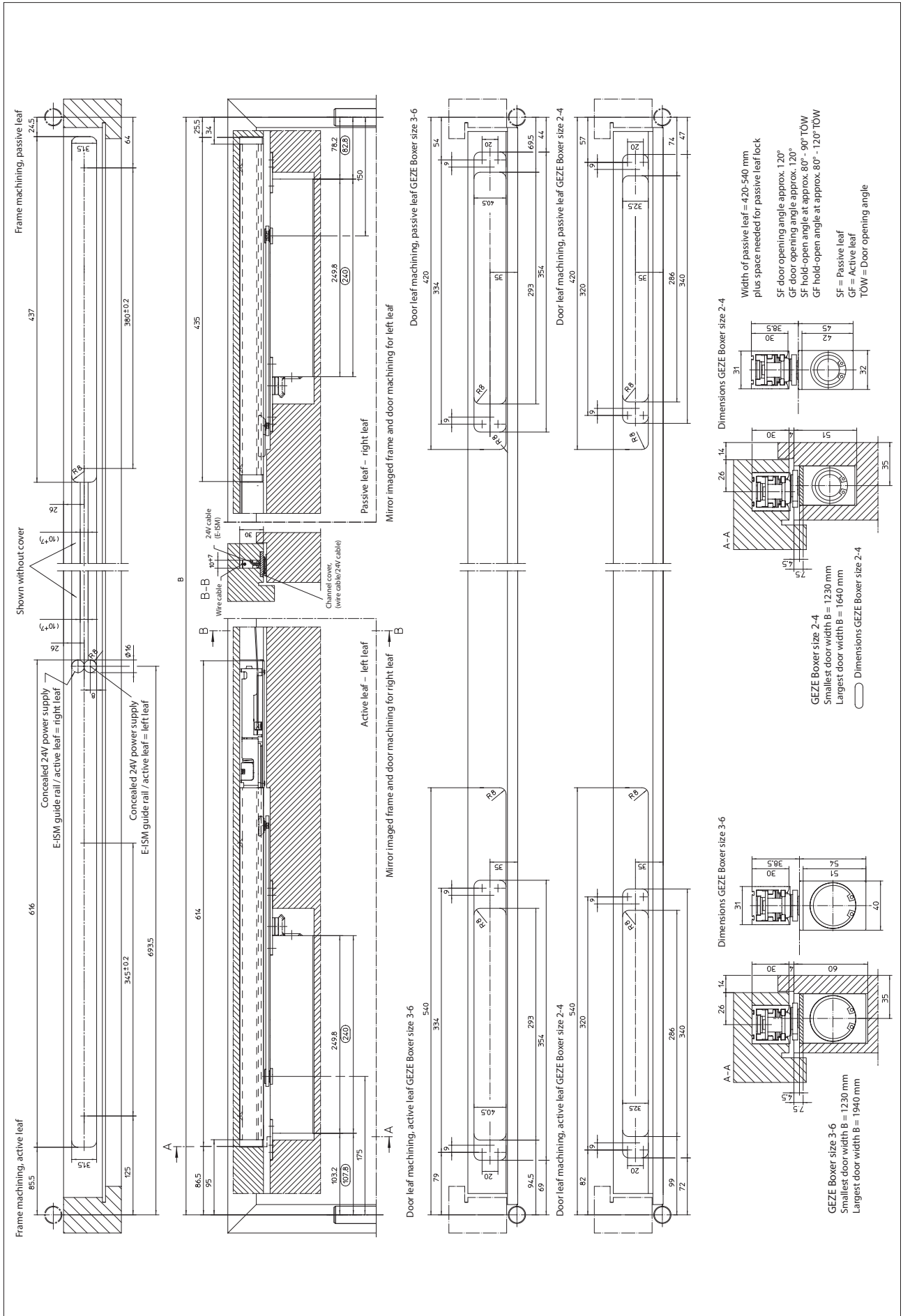
Functions

Integrated closing sequence control	●	●	●
Integrated hold-open device	○	○	○

○ = Optional

● = Standard

Installation drawing GEZE Boxer ISM / E-ISM Small passive leaf in wooden door



GEZE BOXER

GEZE Boxer ISM – Order information

Description	Version	ID no.
GEZE Boxer 2-4 closer Size EN 2-4 with back check (without guide rail)	0 mm	099728
	Spindle extension 4 mm	101759
	8 mm	101760
GEZE Boxer 2-4 2V closer Size EN 2-4 with back check and independent latching action valve (end brake also possible, without guide rail)	0 mm	134448
	Spindle extension 4 mm	134493
	8 mm	134494
GEZE Boxer 3-6 closer Size EN 3-6 with back check (without guide rail)	0 mm	099735
	Spindle extension 4 mm	101761
	8 mm	101762
Boxer ISM guide rail Boxer with integrated closing sequence control and levers	silver-coloured	114141
Boxer ISM guide rail, Boxer version for small hinge clearance specially for small hinge clearances from 1130 mm, with integrated closing sequence control and levers	silver-coloured	120894
Boxer ISM guide rail, Boxer version for small passive leaf specially for doors with small fixed leaves from 420 mm, with integrated closing sequence control and levers	silver-coloured	128597
Accessories		
Mechanical hold-open unit for ISM guide rail, adjustable retention force, can be overridden		118437
GEZE flexible opening restrictor for guide rail 1-leaf: TS 5000 E/R/RFS (leaf installation), Boxer E; 2-leaf: all E/R-ISM variants TS 5000 and Boxer		145311
GEZE carry bar CB flex for use on all 2-leaf rebated doors. Stepless, concealed length adjust- ment up to 210 mm leaf projection, hinged mechanism not visible, profi- le can be shortened if required, with attachment material	silver-coloured	153602
	acc. to RAL	153728

GEZE Boxer E-ISM

Integrated door closer system for double-leaf doors with a hinge clearance of up to 2800 mm featuring integrated closing sequence control and electrical hold-open

The GEZE Boxer E-ISM system for double-leaf doors consists of the Boxer 2-4 or Boxer 3-6 in the door leaves and the E-ISM guide rail in the frame. The guide rail is fitted with integrated mechanical closing sequence control in accordance with EN 1158 and an electro-mechanical hold-open mechanism in accordance with EN 1155 on both sides. The E-ISM guide rail is only visible when the door is open. On double-leaf doors it ensures that the active leaf always closes after the passive leaf. The retention force of the electro-mechanical hold-open mechanism is infinitely adjustable; the hold-open point can be set anywhere between about 80° and about 120°. The hold-open point can be overridden, i.e. the door can be opened wider if needed. Once installed, the infinitely adjustable closing force, closing speed, latching action and hydraulic back check can be adjusted on the door closers. The system can be used on DIN left and right moving leaves without the need for conversion. In addition, the closing sequence control on the ISM guide rail is extremely resistant to vandalism, i.e. the system will not suffer damage even if the active leaf is consciously pushed closed from the waiting position.

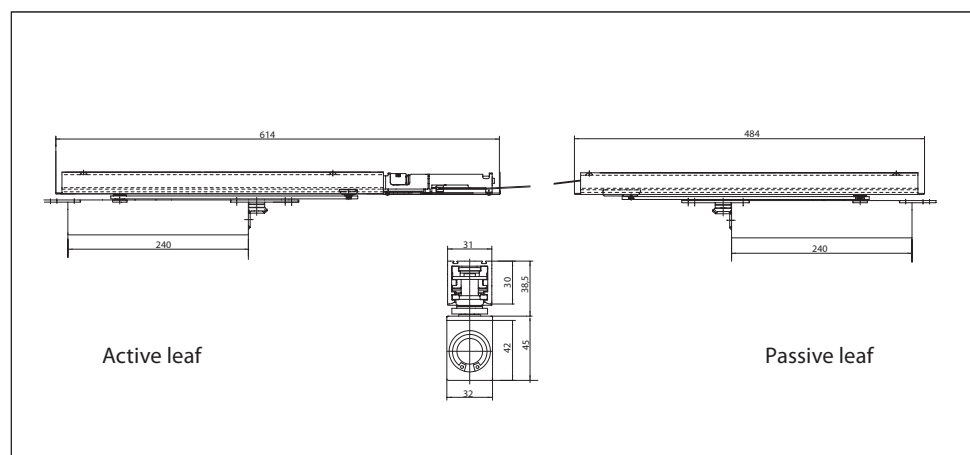
An additional door suitability certificate is required for fire protection doors. The system is building code approved with the GEZE smoke switch control units RSZ6. The door must be limited at an opening angle of about 120°.

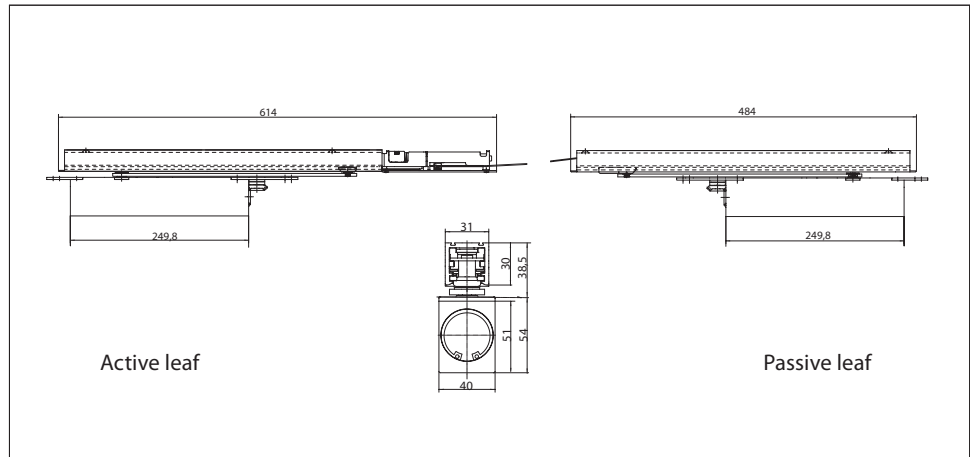
Special versions

- For doors with narrow hinge clearance, from 1130 mm (opening angle max. 100°)
- For doors with small passive leaf, from 420 mm (opening angle of passive leaf max. 100°)



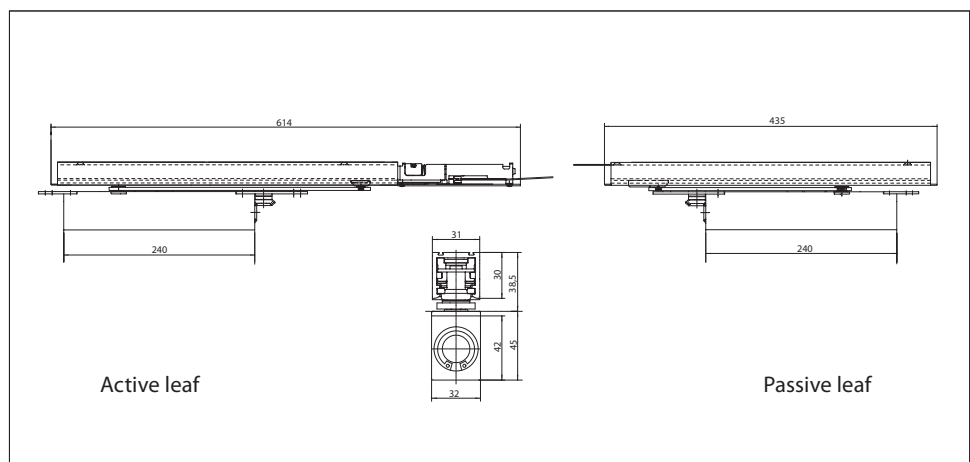
GEZE Boxer E-ISM



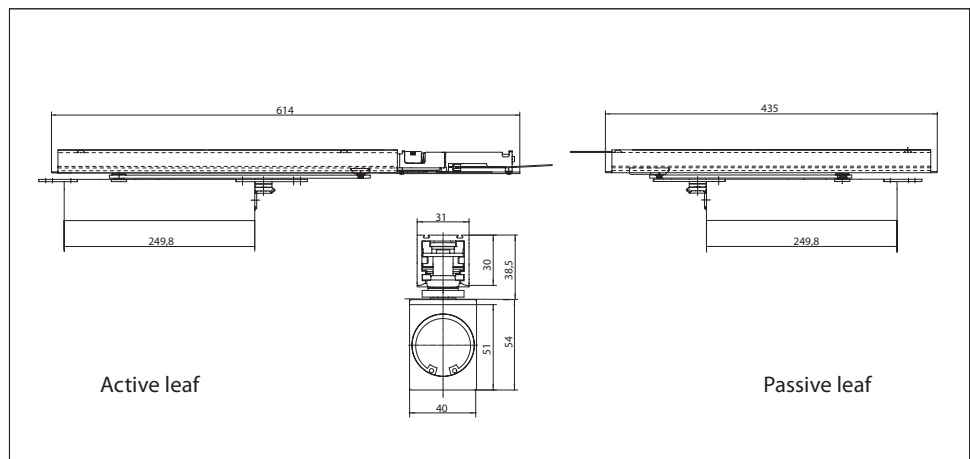


Size 3-6

**GEZE Boxer E-ISM
 for small passive leaf**



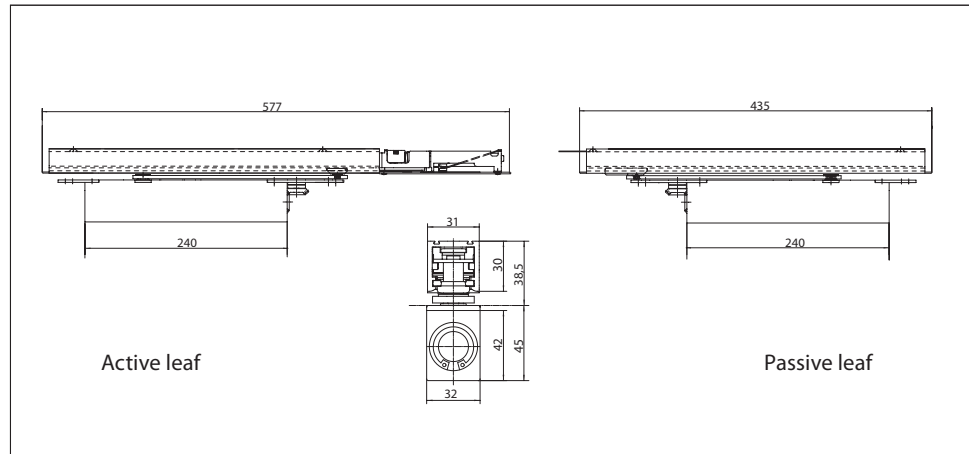
Size 2-4



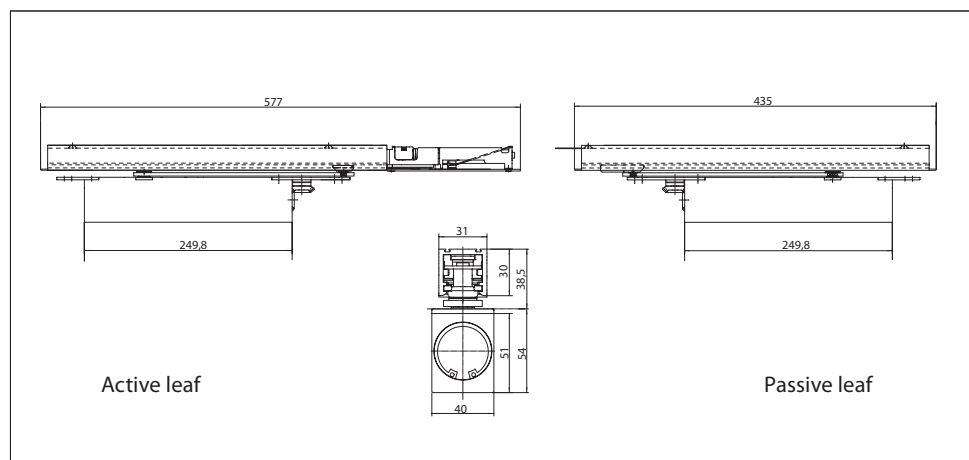
Size 3-6

Size 2-4

GEZE Boxer E-ISM for small hinge clearance



Size 2-4



Size 3-6

Application range

- For double-leaf doors, leaf width of up to 1400 mm
- Min. hinge clearance = 1130 mm (version for small hinge clearance),
max. hinge clearance = 2800 mm
- Min. width of passive leaf 420 mm (version for small passive leaf)
- Closer size 2-4 for interior doors up to a leaf width of 1100 mm and a leaf weight of 130 kg
- Closer size 2-4 2V with independent latching action valve. This makes it possible to increase and reduce the latching action speed (brake-to-stop function).
- Closer size 3-6 for interior and exterior doors up to a leaf width of 1400 mm and a leaf weight of 180 kg
- Door leaf thickness from 40 mm for size 2-4, from 50 mm for size 3-6
- For fire protection doors with appropriate suitability certificate

GEZE BOXER

Closer technical data

Product features	GEZE Boxer 2-4 closer	GEZE Boxer 2-4 2V closer	GEZE Boxer 3-6 closer
Closing force in accordance with EN 1154	2 - 4	2 - 4	3 - 6
Leaf width recommended up to	1100 mm	1100 mm	1400 mm
Leaf weight recommended up to	130 kg	130 kg	180 kg
Minimum leaf thickness	40 mm	40 mm	50 mm
Same version for DIN left and DIN right	•	•	•
Product tested in accordance with	Door closer tested in accordance with EN 1154		
Length	286 mm	286 mm	293 mm
Installation depth	32 mm	32 mm	40 mm
Height	45 mm	45 mm	54 mm

Functions

Adjustable closing force	Yes, infinitely variable		
Adjustable closing speed	•	•	•
Adjustable latching action	Yes, via valve		
Integrated back check	Yes, hydraulically adjustable		
Closing force adjustment position	Top		
Safety valve to protect against vandalism	•	•	•
Valve control for regulating the latching action speed		•	

Guide rail technical data

Product features	Boxer E-ISM guide rail	Boxer E-ISM guide rail, version for small hinge clearance	Boxer E-ISM guide rail, version for small passive leaf
Minimum hinge clearance	1300 mm	1130 mm	1230 mm
Minimum width of passive leaf	540 mm	420 mm	420 mm
Supply voltage	24V DC		
Enclosure rating	IP 43		
Product tested in accordance with	Hold-open mechanism tested in accordance with EN 1155 Closing sequence controller tested in accordance with EN 1158		
Installation depth	31 mm		
Height	30 mm		

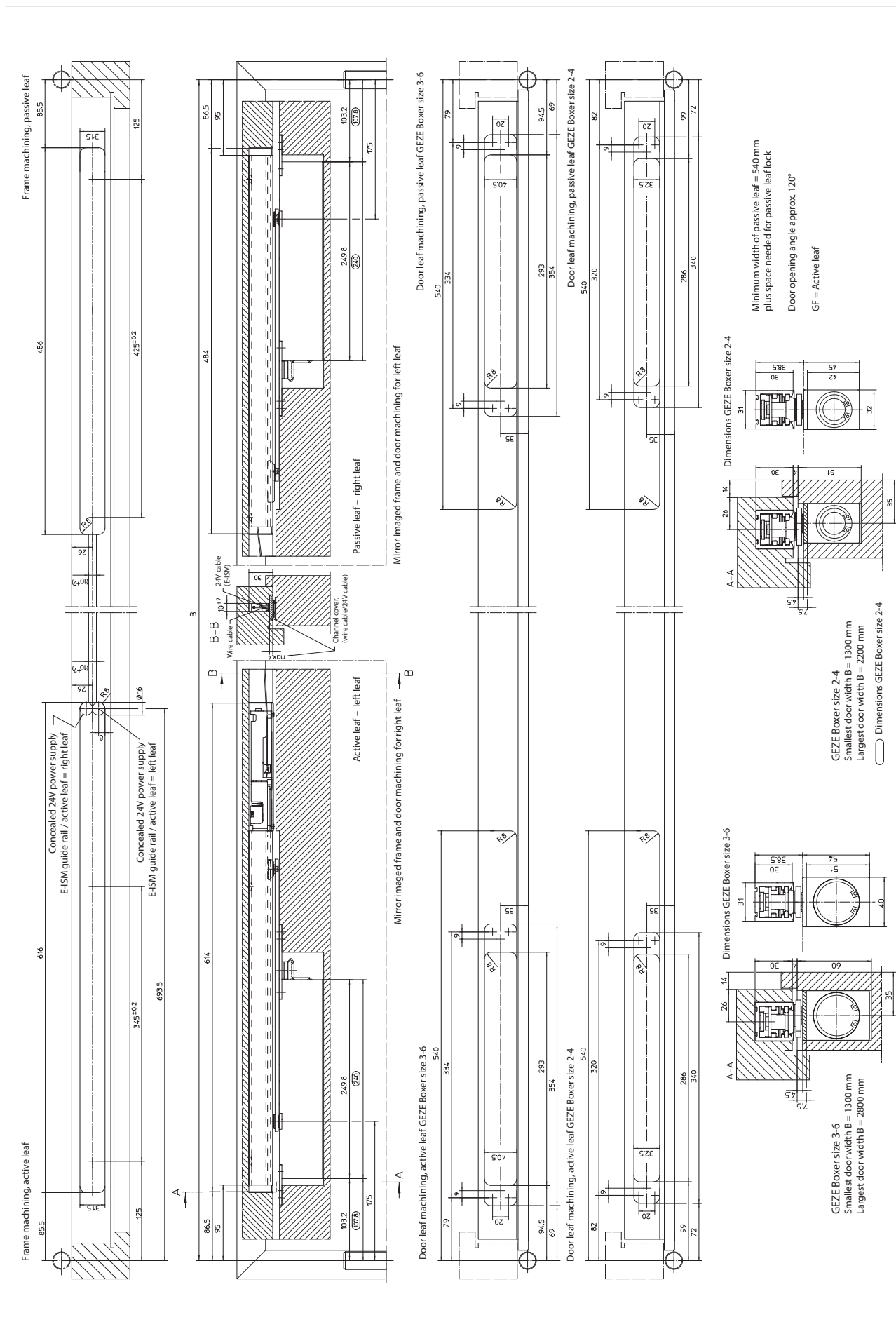
Functions

Integrated closing sequence control	•	•	•
Integrated hold-open device	Electrical		
Hold-open mechanism on active leaf / passive leaf	• / •		
Hold-open device, can be activated or deactivated	•	•	•
Hold-open device can be overridden	•	•	•

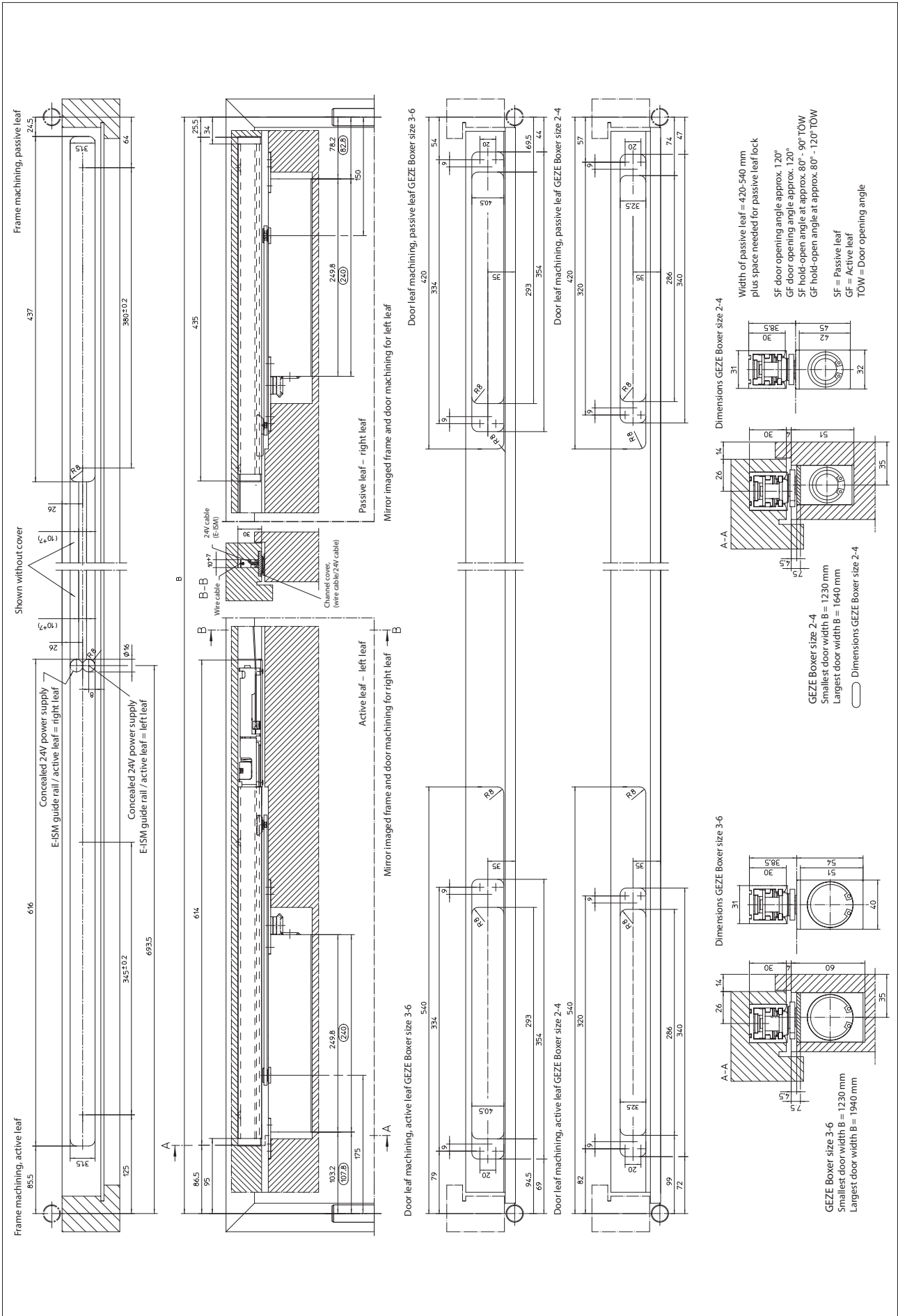
○ = Optional

● = Standard

Installation drawing GEZE Boxer ISM / E-ISM Standard in wooden door



Installation drawing GEZE Boxer ISM / E-ISM Small passive leaf in wooden door



GEZE Boxer E-ISM – Order information

Description	Spindle extension	Version	ID no.
GEZE Boxer 2-4 closer Size EN 2-4 with back check (without guide rail)	0 mm		099728
	4 mm		101759
	8 mm		101760
GEZE Boxer 2-4 2V closer Size EN 2-4 with back check and independent latching action valve Spindle extension (end brake also possible, without guide rail)	0 mm		134448
	4 mm		134493
	8 mm		134494
GEZE Boxer 3-6 closer Size EN 3-6 with back check (without guide rail)	0 mm		099735
	4 mm		101761
	8 mm		101762
Boxer E-ISM guide rail with integrated closing sequence control, electrical hold-open device on both sides, and levers		silver-coloured	114142
Boxer E-ISM guide rail, Boxer version for small hinge clearance specially for small hinge clearances from 1130 mm, with integrated closing sequence control, electrical hold-open device on both sides, and levers		silver-coloured	120895
Boxer E-ISM guide rail, Boxer version for small passive leaf specially for doors with small fixed leaves from 420 mm, with integrated closing sequence control, electrical hold-open device on both sides, and levers		silver-coloured	128598
Accessories			
GEZE flexible opening restrictor for guide rail 1-leaf: TS 5000 E/R/RFS (leaf installation), Boxer E; 2-leaf: all E/R-ISM variants TS 5000 and Boxer			145311
GEZE carry bar CB flex for use on all 2-leaf rebated doors. Stepless, concealed length adjustment up to 210 mm leaf projection, hinged mechanism not visible, profile can be shortened if required, with attachment material		silver-coloured	153602
		acc. to RAL	153728
GEZE smoke switch control unit RSZ6 Smoke switch and energy supply for all GEZE hold-open mechanisms		silver-coloured	099851
		white RAL 9016	099858
		Stainless steel effect ¹⁾	099856
		acc. to RAL ²⁾	099859
Set smoke switch control unit RSZ 6 ECwire Smoke switch control unit ECwire for straightforward wiring with 2-wire technology incl. 2 ceiling-mounted smoke detectors GC 162 (White)		silver-coloured	154976
		white RAL 9016	154979
		Stainless steel effect ¹⁾	154991
		acc. to RAL ²⁾	154980
GEZE smoke detector GC 152 Complete with base, 24 V DC, 20 mA, tested to EN54-7, with general approval for use with all GEZE hold-open systems, integrated line control, conform with DIN EN 14637		white	139850
GEZE thermal detector GC 153 Complete with base, 24 V DC, 20mA, tested to EN54-5, with general approval for use with all GEZE hold-open systems, integrated line control, conform with DIN EN 14637		white	139881
GEZE manual trigger switch Flush-mounted version, for the manual release of electrically controlled hold-open devices including terminating resistance for line monitoring		Alpine white	116266
Single surface-mounted socket matches the AS500 switch range			120503
GEZE circuit breaker with glass pane and 5 interchangeable labels Flush-mounted version, for the manual release of electrically controlled hold-open devices including terminating resistance for line monitoring		Alpine white	120880
Replacement pane for GEZE circuit breaker 120880			010994

1) Only suitable for dry rooms

2) Surcharge for special RAL colours, see general information

GEZE Boxer ISM-EFS

Integrated door closer system for 2-leaf doors up to 2800 mm hinge clearance with integrated closing sequence control and electric free swing function on the active leaf

The GEZE Boxer ISM-EFS system for double leaf doors consists of the Boxer EFS 4-6 with free swing function on the active leaf, a Boxer 2-4 or Boxer 3-6 on the passive leaf and the ISM guide rail with integrated mechanical closing sequence control in accordance with EN 1158 in the door frame. The ISM guide rail is only visible when the door is open. On double leaf doors, it ensures that the active leaf always closes after the passive leaf. The free swing function allows the active leaf to be used with minimum resistance in the direction of opening or closing e.g. in homes for the elderly or hospitals after the door has been opened once (such as in the morning).

Once installed, the closing speed, latching action and closing force on the passive leaf can be adjusted on the door closers. The system can be used for left hand or right hand active leaves with the need for conversion. In addition, the closing sequence control of the ISM rail is extremely resistant to vandalism, i.e. the system will not suffer damage even if the active leaf is consciously pushed closed from the waiting position.

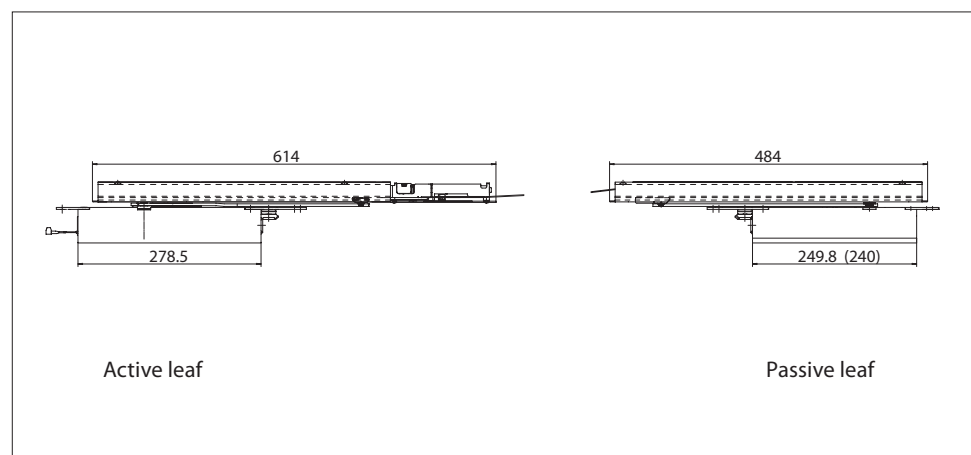
An additional door suitability certificate is required for fire protection doors. The system is building code approved with the GEZE smoke switch control unit RSZ6. The door must be limited at an opening angle of about 120°.

Special versions

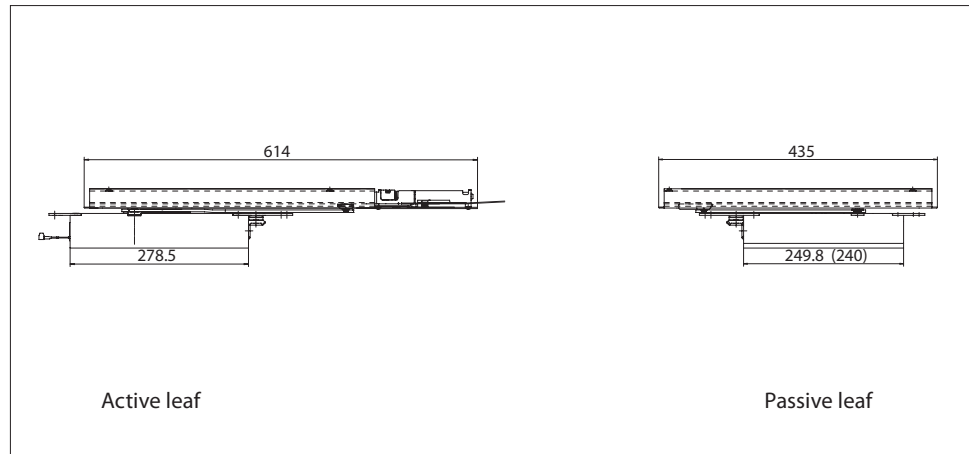
- For doors with small passive leaf, from 420 mm (opening angle of passive leaf max. 100°)



GEZE Boxer ISM-EFS



GEZE Boxer ISM-EFS for small passive leaf



Application range

- For 2-leaf doors, leaf width up to 1400 mm, with comfort hold-open function at the end of the free swing area for easier latching of the active leaf
- Min. hinge clearance = 1230 mm (version for small passive leaf), max. hinge clearance = 2800 mm
- Min. width of passive leaf 420 mm (version for small passive leaves)
- Closer size 3-6 for doors up to 1400 mm leaf width and 180 kg leaf weight
- Closer size 2-4 2V with independent latching action valve. This makes it possible to increase and reduce the latching action speed (brake-to-stop function).
- Door leaf thickness from 50 mm
- For fire protection doors with respective suitability certificate

Closer technical data

Product features	GEZE Boxer 2-4 closer	GEZE Boxer 2-4 2V closer	GEZE Boxer 3-6 closer	GEZE Boxer EFS 4-6
Closing force in accordance with EN 1154	2 - 4	2 - 4	3 - 6	4 - 6
Leaf width recommended up to	1100 mm		1400 mm	
Leaf weight recommended up to	130 kg		180 kg	180 kg
Minimum leaf thickness	40 mm	40 mm	50 mm	50 mm
Same version for DIN left and DIN right	●	●	●	●
Supply voltage				24 V DC
Enclosure rating				IP 43
Product tested in accordance with	Door closer tested in accordance with EN 1154	Door closer tested in accordance with EN 1154	Door closer tested in accordance with EN 1154	Door closer tested in accordance with EN 1154 Hold-open mechanism tested in accordance with EN 1155
Length	286 mm	286 mm	293 mm	332 mm
Installation depth	32 mm	32 mm	40 mm	40 mm
Height	45 mm	45 mm	54 mm	54 mm

Functions

Adjustable closing force	Yes, infinitely variable	Yes, infinitely variable	Yes, infinitely variable	Yes, infinitely variable
Adjustable closing speed	●	●	●	●
Adjustable latching action	Yes, via valve			
Integrated back check	Yes, hydraulically adjustable	Yes, hydraulically adjustable	Yes, hydraulically adjustable	Yes, mechanically in the guide rail
Closing force adjustment position	Top			
Safety valve to protect against vandalism	●	●	●	●
Valve control for regulating the latching action speed		●		
Integrated hold-open device				electrical / for free swing function

Guide rail technical data

Product features	Boxer ISM guide rail	Boxer ISM guide rail, version for small passive leaf
Minimum hinge clearance	1300 mm	1230 mm
Minimum width of passive leaf	540 mm	420 mm
Product tested in accordance with	Closing sequence controller tested in accordance with EN 1158	
Installation depth	31 mm	
Height	30 mm	

Functions

Integrated closing sequence control	●	●
-------------------------------------	---	---

○ = Optional

● = Standard

GEZE BOXER

GEZE Boxer ISM-EFS – Order information

Description	Spindle extension	Version	ID no.
GEZE Boxer EFS 4-6 Size EN 4-6, with electric free swing function incl. free swing lever with comfort hold-open function	0 mm		153559
GEZE spindle extension Boxer EFS 4-6	4 mm		153573
	8 mm		153574
	0 mm		099728
GEZE Boxer 2-4 closer Size EN 2-4 with back check (without guide rail)	4 mm		101759
	8 mm		101760
	0 mm		134448
GEZE Boxer 2-4 2V closer Size EN 2-4 with back check and independent latching action valve (end brake also possible, without guide rail)	4 mm		134493
	8 mm		134494
	0 mm		099735
GEZE Boxer 3-6 Closer Size EN 3-6 with back check (without guide rail)	4 mm		101761
	8 mm		101762
ISM guide rail Boxer with integrated closing sequence control and levers		silver-coloured	114141
ISM guide rail Boxer variant, small passive leaf especially for doors with small passive leaf from 420 mm, with integrated closing sequence control and levers		silver-coloured	128597
Accessories			
GEZE flexible opening restrictor for guide rail 1-leaf: TS 5000 E/R/RFS (leaf installation), Boxer E; 2-leaf: all E/R-ISM variants TS 5000 and Boxer			145311
GEZE carry bar CB flex for use on all 2-leaf rebated doors. Stepless, concealed length adjustment up to 210 mm leaf projection, hinged mechanism not visible, profile can be shortened if required, with attachment material		silver-coloured	153602
		acc. to RAL ¹⁾	153728
GEZE smoke switch control unit RSZ 6 Smoke switch and power supply for all GEZE hold-open mechanisms		silver-coloured	099851
		white RAL 9016	099858
		simulated stainless steel	099856
		acc. to RAL ¹⁾	099859
Set smoke switch control unit RSZ 6 ECwire Smoke switch control unit ECwire for straightforward wiring with 2-wire technology incl. 2 ceiling-mounted smoke detectors GC 162 (White)		silver-coloured	154976
		white RAL 9016	154979
		simulated stainless steel	154991
		acc. to RAL ¹⁾	154980
GEZE smoke detector GC 152 Complete with base, 24 V DC, 20 mA, tested in accordance with EN54-7, with general approval for use with all GEZE hold-open systems, integrated line monitoring, in accordance with DIN EN 14637		white	139850
GEZE thermal detector GC 153 Complete with base, 24 V DC, 20 mA, tested in accordance with EN54-5, with general approval for use with all GEZE hold-open systems, integrated line control, in accordance with DIN EN 14637		white	139881
GEZE manual trigger switch flush-mounted version for the manual release of electrically controlled hold-open mechanisms including terminating resistance for line monitoring		alpine white	116266
GEZE manual trigger switch (with glass pane and 5 interchangeable labels), flush-mounted version for the manual release of electrically controlled hold-open mechanisms		alpine white	120880
Surface-mounted box, single Matching the AS 500 switch range		alpine white	120503
Replacement glass cover for GEZE manual trigger switch 120880 and 120881			010994

¹⁾ Surcharge for special RAL colours, see general information

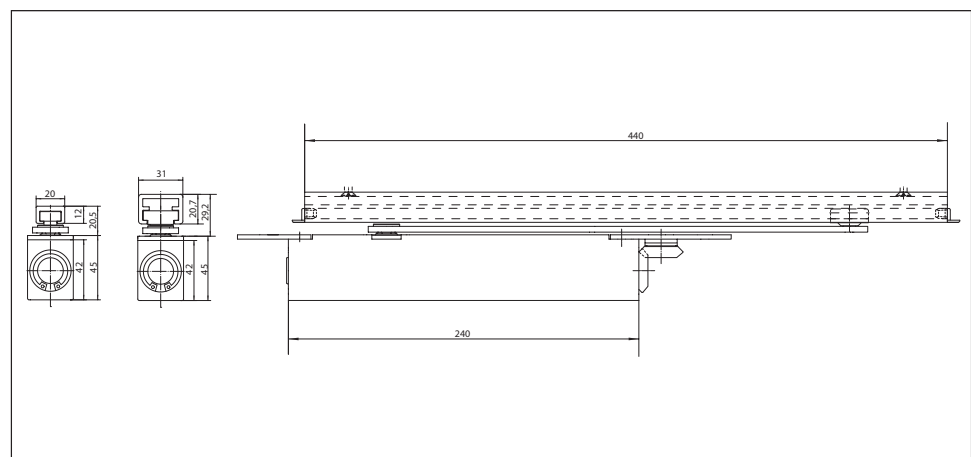
GEZE Boxer P

Integrated door closer for single-leaf double-action doors with a leaf width of up to 1100 mm

The GEZE Boxer 2-4 integrated door closer with double-action guide rail is suitable for installation in lightweight double-actions doors. It is fully incorporated into the door leaf and is not visible when the door is closed. Once installed, the closing force, closing speed, latching action and hydraulic back check can be conveniently adjusted from the top. The door must be limited at an opening angle of about 120°.



GEZE Boxer P



Application range

- For double-action doors up to a leaf width of 1100 mm
- Leaf weights up to 80 kg
- Leaf thickness min. 40 mm

GEZE BOXER

Closer technical data

Product features	GEZE Boxer 2-4 closer	GEZE Boxer 2-4 2V closer
Closing force in accordance with EN 1154	2 - 4	2-4
Leaf width recommended up to	1100 mm	1100 mm
Leaf weight recommended up to	80 kg	80 kg
Minimum leaf thickness	40 mm	40 mm
Same version for DIN left and DIN right	●	●
Product tested in accordance with	Door closer tested in accordance with EN 1154	
Length	286 mm	286 mm
Installation depth	32 mm	32 mm
Height	45 mm	45 mm

Functions

Adjustable closing force	Yes, infinitely variable	
Adjustable closing speed	●	●
Adjustable latching action	Yes, via valve	
Integrated back check	Yes, hydraulically adjustable	
Closing force adjustment position	Top	
Safety valve to protect against vandalism	●	●
Valve control for regulating the latching action speed		●

Guide rail technical data

Product features	Boxer guide rail, 12 mm	Boxer guide rail, 20.7 mm
For use on single-action/double-action doors	Double-action door	
Length	440 mm	
Installation depth	20 mm	31 mm
Height	12 mm	20,7 mm

Functions

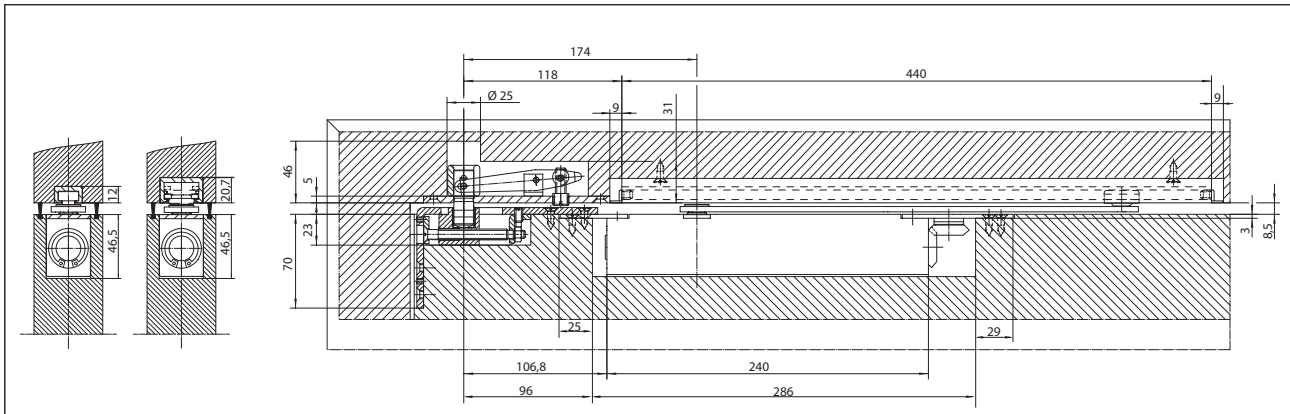
Integrated opening restrictor	○	○
Integrated hold-open device	○	Mechanical
Hold-open device, can be activated or deactivated		●
Hold-open device can be overridden		●

○ = Optional

● = Standard

Installation drawing

Boxer P size 2-4



Installation on wooden door

GEZE Boxer P – Order information

Description	Spindle extension	Version	ID no.
GEZE Boxer 2-4 closer size EN 2-4 with back check (without guide rail)	0 mm		099728
	4 mm		101759
	8 mm		101760
GEZE Boxer 2-4 2V closer Size EN 2-4 with back check and independent latching action valve (end brake also possible, without guide rail)	0 mm		134448
	4 mm		134493
	8 mm		134494
Boxer 12 mm guide rail with lever for double-action doors, installation height 12 mm (Boxer 2-4 only)		silver-coloured	129344
		acc. to RAL ¹⁾	135733
Boxer 20.7 mm guide rail with lever for double-action doors and mechanical hold-open, installation height 20.7 mm (Boxer 2-4 only)		silver-coloured	104246
		acc. to RAL ¹⁾	135731
Accessories			
Mechanical hold-open unit for Standard / T-Stop / Boxer 20.7 mm guide rail, adjustable retention force, can be activated/deactivated and overridden			071924
Mechanical hold-open unit for Boxer 12 mm guide rail, adjustable retention force, cannot be overridden			129145
Flexible opening restrictor for lightweight doors for riveted, Standard BG and Boxer 20.7 mm guide rails			069780
Flexible opening restrictor for lightweight doors for Boxer 12 mm guide rail			129343

¹⁾ Surcharge for special RAL colours, see general information

GEZE Boxer pivot bearing

Integrated pivot bearing for opening restriction or hold-open function for doors without door closer, for use with all Boxer guide rails

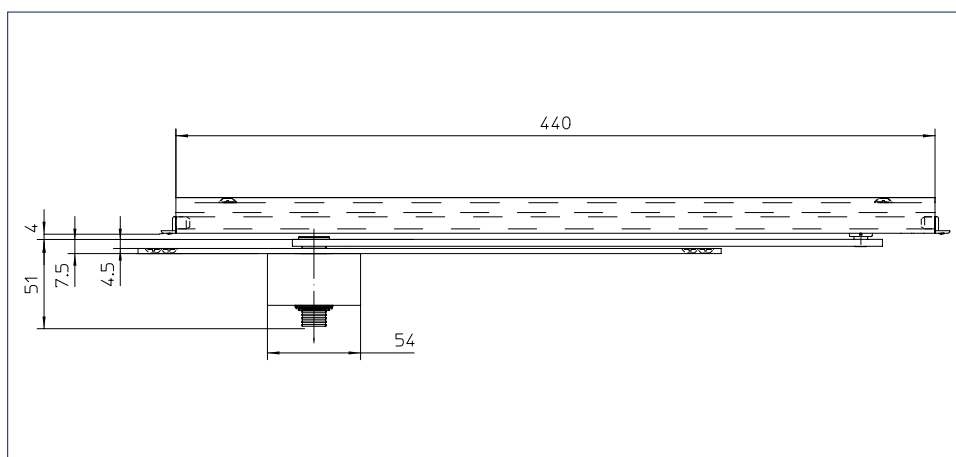
The GEZE Boxer pivot bearing makes it possible to integrate an opening restriction and a mechanical hold-open function in door systems without fire protection requirements. This means doors can be held open or have their opening angle restricted even without a door closer. In most cases, an external door stopper is no longer required. Thanks to integration in the door leaf or frame, the solution is not visible when the door is closed.

On 2-leaf doors, the GEZE Boxer pivot bearing makes the combination of an automatic swing door with a Boxer door closer and the Boxer ISM guide rail possible. When the door is closed, only the automatic swing door drive is visible, whereby the full functionality of a 2-leaf system with integrated closing sequence control in accordance with EN1158 is given.

The GEZE Boxer pivot bearing can be combined with the whole range of Boxer guide rails.



GEZE Boxer pivot bearing

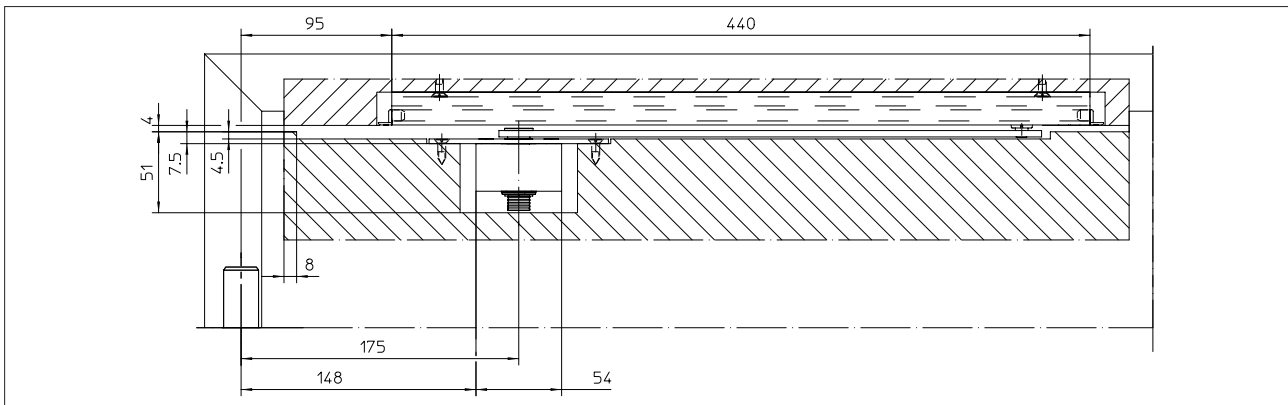


Area of application

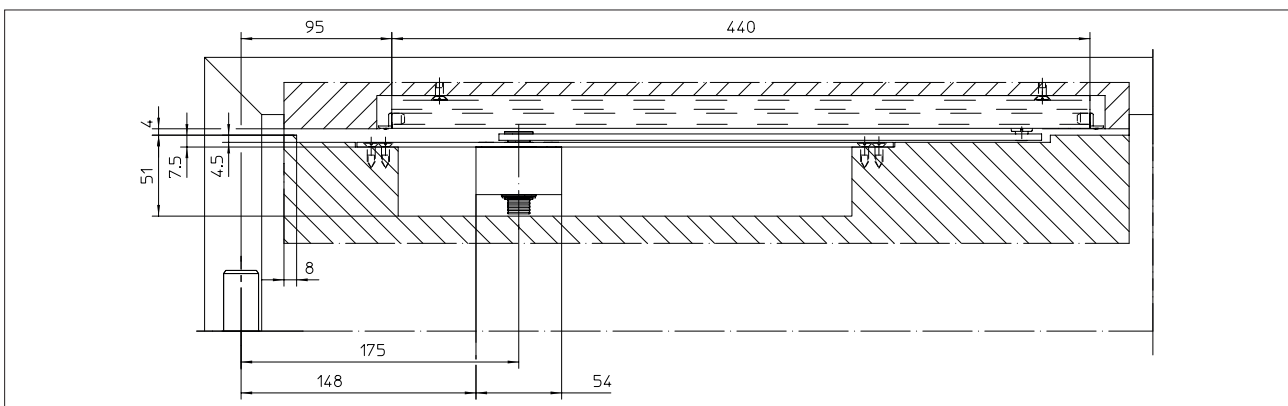
- Opening restriction for single- or double-action doors without door closer
- Hold-open function for single- or double-action doors without door closer
- For right and left hung doors without the need for conversion
- For doors without smoke and fire protection requirements for internal applications
- For use in 2-leaf systems with automatic swing door and GEZE Boxer, tested in accordance with EN 1158

Installation notes

Pivot bearing with short cover plate



Pivot bearing with long cover plate



GEZE Boxer pivot bearing - Order information

Description	Spindle extension	Version	ID no.
GEZE Boxer pivot bearing Integrated pivot bearing for opening restriction or hold-open device for doors without door closer, for use with all Boxer guide rails	0, 2, 4, 6, 8 mm		156278
Guide rail Boxer 12 mm with lever, overall height 12 mm		silver-coloured	129213
		acc. to RAL	135732
Guide rail Boxer 12 mm with lever for double-action doors, overall height 12 mm (only Boxer 2-4)		silver-coloured	129344
		acc. to RAL	135733
Guide rail Boxer 20,7 mm with lever, overall height 20,7 mm		silver-coloured	112161
Guide rail Boxer 20,7 mm with lever and mechanical hold-open device, overall height 20,7 mm		silver-coloured	095141
		acc. to RAL	135689
Guide rail Boxer 20,7 mm with lever for double-action doors and mechanical hold-open device, overall height 20,7 mm (only Boxer 2-4)		silver-coloured	104246
		acc. to RAL	135731
Accessories			
GEZE flexible opening restrictor for lightweight doors for Boxer 12 mm guide rail			129343
GEZE flexible opening restrictor for lightweight doors for riveted guide rail, standard guide rail BG, standard guide rail and Boxer 20.7 mm guide rail			069780
GEZE mechanical hold-open device for Boxer 12 mm guide rail, retention force adjustable, cannot be overridden			129145
GEZE mechanical hold-open device for Standard / T-Stop / Boxer 20.7 mm guide rail, adjustable retention force, can be switched on and off, can be overridden			071924

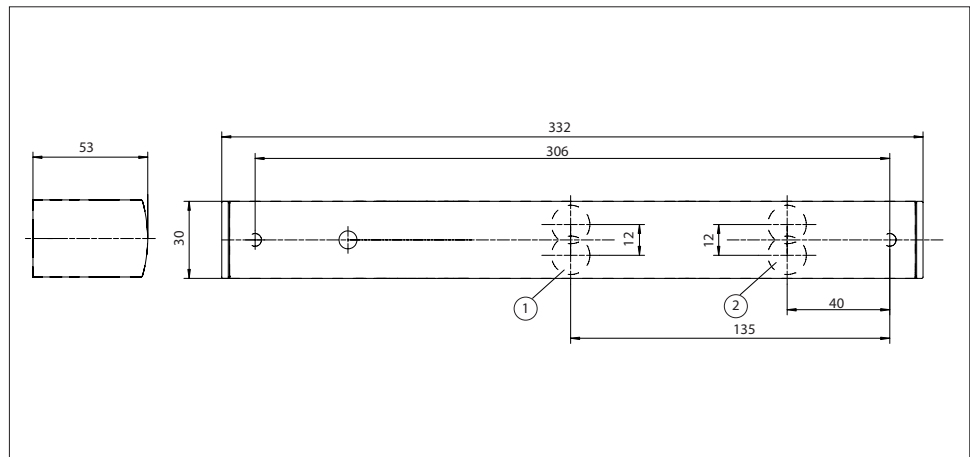
GEZE smoke switch control unit RSZ6 / RSZ6 ECwire

Smoke switch and energy supply for all GEZE hold-open mechanisms

The GEZE smoke switch control unit RSZ6 features the typical GEZE design and has an installation height of 30 mm. It is connected to the 230V mains and provides a reliable supply of 24V DC voltage to the connected hold-open mechanisms (max. 200mA). The smoke switch control unit is mounted on the vertical wall above the door opening and therefore acts as an early fire and smoke warning system (please leave at least 20 mm clearance to the ceiling). When the alarm is activated, the supply of voltage to the hold-open mechanisms (e.g. electrical hold-open in the guide rail or retention magnet) is interrupted and the doors close immediately. Two additional ceiling detectors can be connected, depending on requirements. The integrated smoke switch is fitted with automatic adaptation of the alarm threshold. This compensates for any slight soiling of the smoke chamber and increases its service life. The current status of the smoke switch is displayed visually.



GEZE smoke switch control unit RSZ6



- (1) = Additional connections
- (2) = Concealed power supply 230V AC

Application range

- Approved for use with all GEZE hold-open mechanisms

GEZE smoke switch control unit RSZ6 - Order information

Description	Version	ID no.
GEZE smoke switch control unit RSZ 6 Smoke switch and power supply for all GEZE hold-open mechanisms	silver-coloured	099851
	white RAL 9016	099858
	simulated stainless steel ¹⁾	099856
	acc. to RAL ²⁾	099859
Set smoke switch control unit RSZ 6 ECwire Smoke switch control unit ECwire for straightforward wiring with 2-wire technology incl. 2 ceiling-mounted smoke detectors GC 162 (White)	silver-coloured	154976
	white RAL 9016	154979
	simulated stainless steel ¹⁾	154991
	acc. to RAL ²⁾	154980
Accessories		
GEZE smoke detector GC 152 Complete with base, 24 V DC, 20 mA, tested in accordance with EN54-7, with general approval for use with all GEZE hold-open systems, integrated line monitoring, in accordance with DIN EN 14637	white	139850
GEZE thermal detector GC 153 Complete with base, 24 V DC, 20 mA, tested in accordance with EN54-5, with general approval for use with all GEZE hold-open systems, integrated line control, in accordance with DIN EN 14637	white	139881
GEZE manual trigger switch flush-mounted version for the manual release of electrically controlled hold-open mechanisms including terminating resistance for line monitoring	alpine white	116266
GEZE manual trigger switch with glass pane and 5 interchangeable labels flush-mounted version for the manual release of electrically controlled hold-open mechanisms including terminating resistance for line monitoring	alpine white	120880
Surface-mounted box, single Matching the AS 500 switch range		120503
Replacement glass cover for GEZE manual trigger switch 120880 and 120881		010994

¹⁾ Only suitable for dry rooms

²⁾ Surcharge for special RAL colours, see general information.

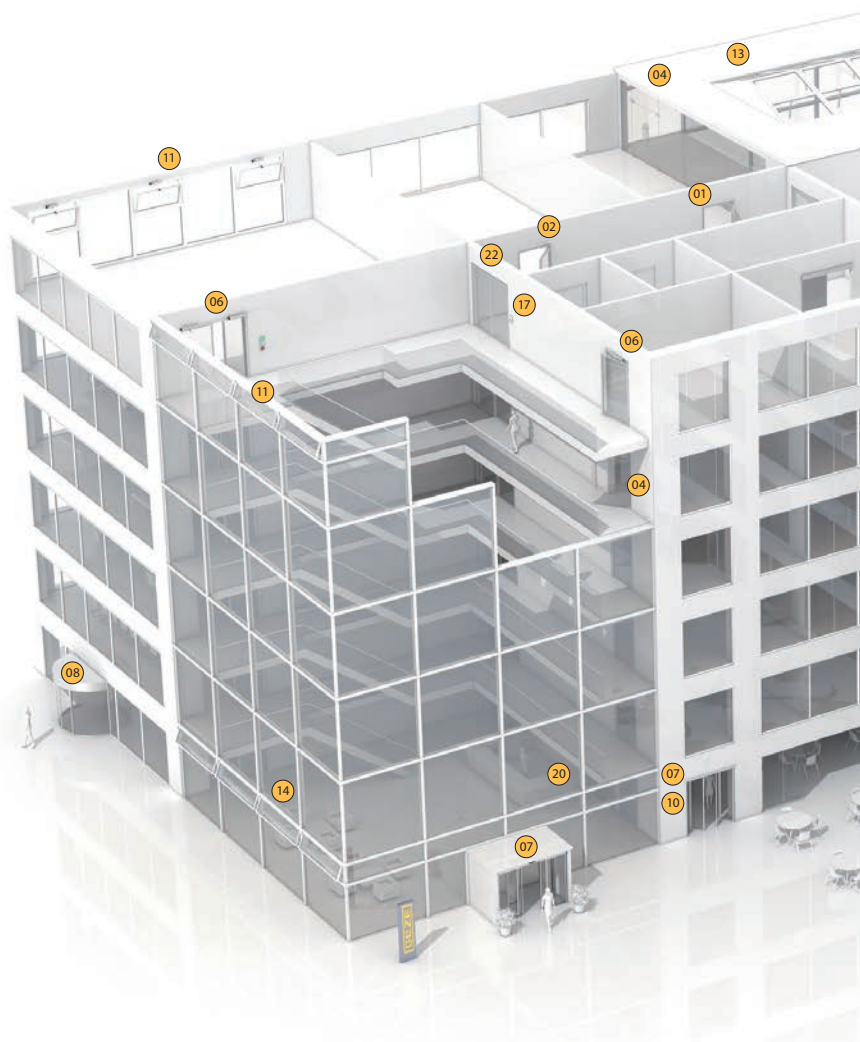


HafenCity University Hamburg, Germany (Photo: S. Dauth)

POTENTIAL APPLICATIONS OF GEZE PRODUCTS

You will find more product information in the relevant brochures, see ID numbers.

Door technology	
01	Overhead door closers ID 091593, ID 091594
02	Hold-open systems ID 091593, ID 091594
03	Integrated door closers ID 091609
04	Floor springs and all-glass fittings ID 091607
05	Sliding fitting systems and linear guides ID 123605, ID 000586
Automatic door systems	
06	Swing doors ID 144785
07	Sliding, telescopic and folding doors ID 143639
08	Curved sliding doors ID 135772
09	Revolving doors ID 132050
10	Actuation devices and sensors ID 142655
Smoke and heat extraction and window technology	
11	Fanlight opening systems ID 127787
12	Electric opening and locking systems ID 127785, ID 127789
13	Electrical spindle and linear drives ID 127785, ID 127789
14	Electric chain drives ID 127785, ID 127789
15	Smoke and heat extraction systems ID 127785, ID 139075
Safety technology	
16	Emergency exit systems ID 132408
17	Access control systems ID 132158
18	Panic locks ID 132848
19	Electric strikes ID 148666
20	Building management system ID 132408
Glass systems	
21	Manual sliding wall systems (MSW) ID 104377
22	Integrated all-glass systems (IGG) ID 104366



POTENTIAL APPLICATIONS OF GEZE PRODUCTS



Door technology

The functionality, superior performance and reliability of GEZE door closers are impressive. A common design across the range, the ability to use them on all common door leaf widths and weights, and the fact that they can be individually adjusted makes their selection simple. They are continually being improved and enhanced with up-to-date features. For example, the requirements of fire protection and accessibility are fulfilled with a door closer system.

Automatic door systems

GEZE automatic door systems open up a huge variety of options in door design. The latest, innovative high-performance drive technology, safety, ease of accessibility and first class universal drive design set them apart. GEZE offers complete solutions for individual requirements.

Smoke and heat extraction and window technology

GEZE smoke and heat extraction systems and ventilation technology provide complete systems solutions combining the many requirements of different types of windows. We supply a full range from energy efficient drive systems to natural ventilation and complete solutions for supplying and extracting air, also as certified SHEVs.

Safety technology

GEZE safety technology sets the standards where preventative fire protection, access control and anti-theft security in emergency exits are concerned. For each of these objectives GEZE offers tailored solutions, which combine the individual safety requirements in one intelligent system and close doors and windows in case of danger in a coordinated manner.

Building systems

In GEZE's Building Management System GEZE door, window and safety products can be integrated in to the security and control systems of the building. A central control and visualisation system monitors various automation components in the building and offers security through many different networking capabilities.

Glass systems

GEZE glass systems stand for open and transparent interior design. They can either blend discreetly into the architecture of the building or stand out as an accentuated feature. GEZE offers a wide variety of technologies for functional, reliable and aesthetic sliding wall or sliding door systems providing security with lots of design scope.

GEZE GmbH
P.O. Box 1363
71226 Leonberg
Germany

GEZE GmbH
Reinhold-Vöster-Straße 21-29
71229 Leonberg
Germany
Telefon +49 7152 203 0
Telefax +49 7152 203 310
www.geze.com

Germany
 GEZE GmbH
 Niederlassung Süd-West
 Breitwiesenstraße 8
 71229 Leonberg
 Tel. +49 7152 203 594
 Fax +49 7152 203 438
 leonberg.de@geze.com

GEZE GmbH
 Niederlassung Süd-Ost
 Parking 17
 85748 Garching bei München
 Tel. +49 7152 203 6440
 Fax +49 7152 203 77050
 muenchen.de@geze.com

GEZE GmbH
 Niederlassung Ost
 Albert-Einstein-Ring 5
 14532 Kleinmachnow bei Berlin
 Tel. +49 7152 203 6840
 Fax +49 7152 203 76849
 berlin.de@geze.com

GEZE GmbH
 Niederlassung Mitte/Luxemburg
 Adenauerallee 2
 61440 Oberursel (b. Frankfurt)
 Tel. +49 7152 203 6888
 Fax +49 7152 203 6891
 frankfurt.de@geze.com

GEZE GmbH
 Niederlassung West
 Heltorfer Straße 12
 40472 Düsseldorf
 Tel. +49 7152 203 6770
 Fax +49 7152 203 76770
 duesseldorf.de@geze.com

GEZE GmbH
 Niederlassung Nord
 Albert-Schweitzer-Ring 24-26 (3. OG)
 22045 Hamburg
 Tel. +49 7152 203 6602
 Fax +49 7152 203 76608
 hamburg.de@geze.com

GEZE Service GmbH
 Niederlassung Süd-West
 Reinhold-Vöster-Straße 25
 71229 Leonberg
 Tel. +49 1802 923392
 Fax +49 7152 9233 359
 service-leonberg.de@geze.com

GEZE Service GmbH
 Niederlassung Süd
 Parking 17
 85748 Garching bei München
 Tel. +49 1802 923392
 Fax +49 7152 9233 859
 service-muenchen.de@geze.com

GEZE Service GmbH
 Niederlassung Mitte
 Oberurseler Str. 69
 61440 Oberursel
 Tel. +49 1802 923392
 Fax +49 7152 9233 659
 service-oberursel.de@geze.com

GEZE Service GmbH
 Niederlassung West
 Heltorfer Straße 12
 40472 Düsseldorf
 Tel. +49 1802 923392
 Fax +49 7152 9233 559
 service-duesseldorf.de@geze.com

GEZE Service GmbH
 Niederlassung Ost
 Albert-Einstein-Ring 5
 14532 Kleinmachnow bei Berlin
 Tel. +49 1802 923392
 Fax +49 7152 9233 759
 service-berlin.de@geze.com

GEZE Service GmbH
 Niederlassung Nord
 Albert-Schweitzer-Ring 24-26 (3. OG)
 22045 Hamburg
 Tel. +49 1802 923392
 Fax +49 7152 9233 459
 service-hamburg.de@geze.com

Austria
 GEZE Austria
 Wiener Bundesstrasse 85
 A-5300 Hallwang
 Tel: +43 6225 87180
 Fax: +43 6225 87180 299
 austria.at@geze.com

**Baltic States –
 Lithuania / Latvia / Estonia**
 Tel. +371 678960 35
 baltic-states@geze.com

Benelux
 GEZE Benelux B.V.
 Industrieterrein Kapelbeemd
 Steenoven 36
 5626 DK Eindhoven
 Tel. +31 4026290 80
 Fax +31 4026290 85
 benelux.nl@geze.com

Bulgaria
 GEZE Bulgaria - Trade
 Representative Office
 Nickolay Haitov 34 str., fl. 1
 1172 Sofia
 Tel. +359 247043 73
 Fax +359 247062 62
 office-bulgaria@geze.com

China
 GEZE Industries (Tianjin) Co., Ltd.
 Shuangchenzhong Road
 Beichen Economic Development
 Area (BEDA)
 Tianjin 300400, P.R. China
 Tel. +86 22 26973995
 Fax +86 22 26972702
 chinasales@geze.com.cn

GEZE Industries (Tianjin) Co., Ltd.
 Branch Office Shanghai
 Jia Little Exhibition Center
 Room C 2-102
 Shenzhuan Rd. 6000
 201619 Shanghai, P.R. China
 Tel. +86 21 52340960
 Fax +86 21 64472007
 chinasales@geze.com.cn

GEZE Industries (Tianjin) Co., Ltd.
 Branch Office Guangzhou
 Room 17 C 3
 Everbright Bank Building, No.689
 Tian He Bei Road
 510630 Guangzhou, P.R. China
 Tel. +86 20 38731842
 Fax +86 20 38731834
 chinasales@geze.com.cn

GEZE Industries (Tianjin) Co., Ltd
 Branch Office Beijing
 Room 04-05, 7th Floor
 Red Sandalwood Plaza
 No. 27 Jianguo Road
 Chaoyang District
 100024 Beijing, P.R.China
 Tel. +86 10 85756009
 Fax +86 10 85758079
 chinasales@geze.com.cn

France
 GEZE France S.A.R.L.
 ZAC de l'Orme Rond
 RN 19
 77170 Servon
 Tel. +33 1 606260 70
 Fax +33 1 606260 71
 france.fr@geze.com

Hungary
 GEZE Hungary Kft.
 Hungary-2051 Biatorbágy
 Vendel Park
 Huber u. 1.
 Tel. +36 23532 735
 Fax +36 23532 738
 office-hungary@geze.com

Iberia
 GEZE Iberia S.R.L.
 C/ Andorra 24
 08830 Sant Boi de Llobregat
 (Barcelona)
 Tel. +34 902194 036
 Fax +34 902194 035
 info@geze.es

India
 GEZE India Private Ltd.
 MF 2 & 3, Guindy Industrial Estate
 Ekkattuthangal
 Chennai 600 097
 Tamilnadu
 Tel. +91 44 406169 00
 Fax +91 44 406169 01
 office-india@geze.com

Italy
 GEZE Italia S.r.l
 Sede di Vimercate
 Via Fiorbellina 20
 20871 Vimercate (MB)
 Tel. +39 0399530401
 Fax+39 039 9530459/419
 italia.it@geze.com

Sede di Roma
 Via Lucrezia Romana, 91
 00178 Roma
 Tel. +39 039 9530401
 Fax +39 039 9530449
 italia.it@geze.com

Poland
 GEZE Polska Sp. z o.o.
 ul. Marywilska 24
 03-228 Warszawa
 Tel. +48 224 404 440
 Fax +48 224 404 400
 geze.pl@geze.com

Romania
 GEZE Romania S.R.L.
 IRIDE Business Park,
 Str. Dimitrie Pompeiu nr. 9-9a,
 Building 10, Level 2, Sector 2,
 020335 Bucharest
 Tel.: +40 212507 750
 Fax: +40 316201 258
 office-romania@geze.com

Russia
 OOO GEZE RUS
 Gamsnovskiy Per. 2
 115191 Moscow
 Tel. +7 495 93306 59
 Fax +7 495 93306 74
 office-russia@geze.com

Scandinavia – Sweden
 GEZE Scandinavia AB
 Mallslingan 10
 Box 7060
 18711 Täby, Sweden
 Tel. +46 87323 400
 Fax +46 87323 499
 sverige.se@geze.com

Scandinavia – Norway
 GEZE Scandinavia AB avd. Norge
 Industriveien 34 B
 2073 Dal
 Tel. +47 63957 200
 Fax +47 63957 173
 norge.se@geze.com

Scandinavia – Denmark
 GEZE Danmark
 Branch office of GEZE Scandinavia AB
 Mårkærvej 13 J-K
 2630 Taastrup
 Tel. +45 463233 24
 Fax +45 463233 26
 danmark.se@geze.com

Singapore
 GEZE (Asia Pacific) Pte. Ltd.
 21 Bukit Batok Crescent
 #23-75 Wcga Tower
 Singapore 658065
 Tel: +65 6846 1338
 Fax: +65 6846 9353
 gezesea@geze.com.sg

South Africa
 Geze South Africa (Pty) Ltd.
 GEZE, Building 3, 1019 Morkels Close
 Midrand 1685
 Tel: + 87 94337 88
 Fax: + 86 66137 52
 info@gezesa.co.za

Switzerland
 GEZE Schweiz AG
 Zeliglimatte 1A
 6260 Reiden
 Tel. +41 62 28554 00
 Fax +41 62 28554 01
 schweiz.ch@geze.com

Turkey
 GEZE Kapı ve Pencere Sistemleri
 San. ve Tic. Ltd. Sti.
 İstanbul Anadolu Yakası Organize
 Sanayi Bölgesi
 Gazi Bulvarı Caddesi 8.Sokak No:8
 Tuzla-İstanbul
 Tel. + 90 216 45543 15
 Fax + 90 216 45582 15
 office-turkey@geze.com

Ukraine
 LLC GEZE Ukraine
 ul. Viskoznaya, 17,
 Building 93-B, Office 12
 02660 Kiev
 Tel./Fax +38 445012225
 office-ukraine@geze.com

United Arab Emirates/GCC
 GEZE Middle East
 P.O. Box 17903
 Jebel Ali Free Zone
 Dubai
 Tel. +971 48833 112
 Fax +971 48833 240
 gezeme@geze.com

United Kingdom
 GEZE UK Ltd.
 Blenheim Way
 Fradley Park
 Lichfield
 Staffordshire WS13 8SY
 Tel. +44 15434430 00
 Fax +44 15434430 01
 info.uk@geze.com

GEZE REPRESENTATIVE