

## FITTING INSTRUCTIONS - NOTICE DE POSE - MONTAGE HANDLEIDING - MONTAGEANLEITUNG ISTRUZIONI DI MONTAGGIO - INSTUCCIONES DE MONTAJE

**Warranty.** This product is covered by a 10 year manufacturer's warranty. Please see the P C Henderson website for terms and conditions.

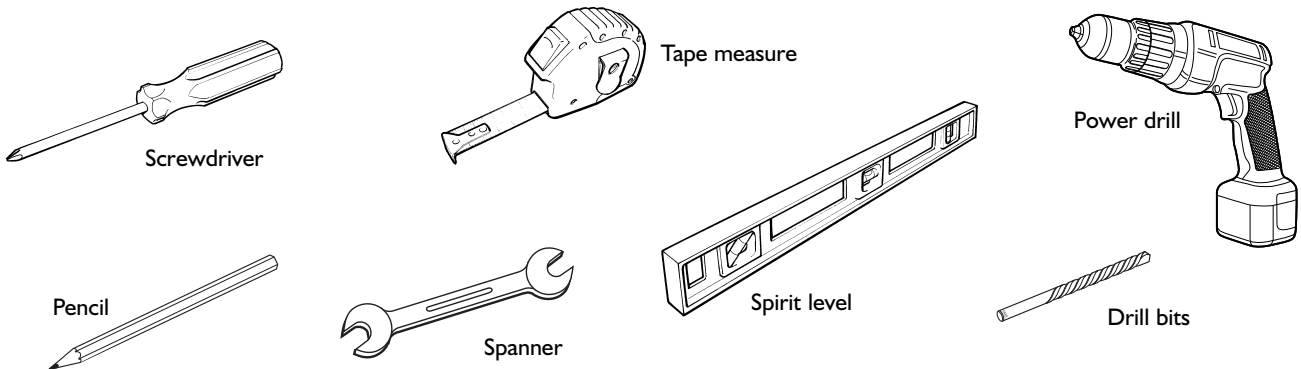
### WATCH THE INSTALLATION VIDEO

Visit: [www.pchenderson.com/rustic-installation](http://www.pchenderson.com/rustic-installation)

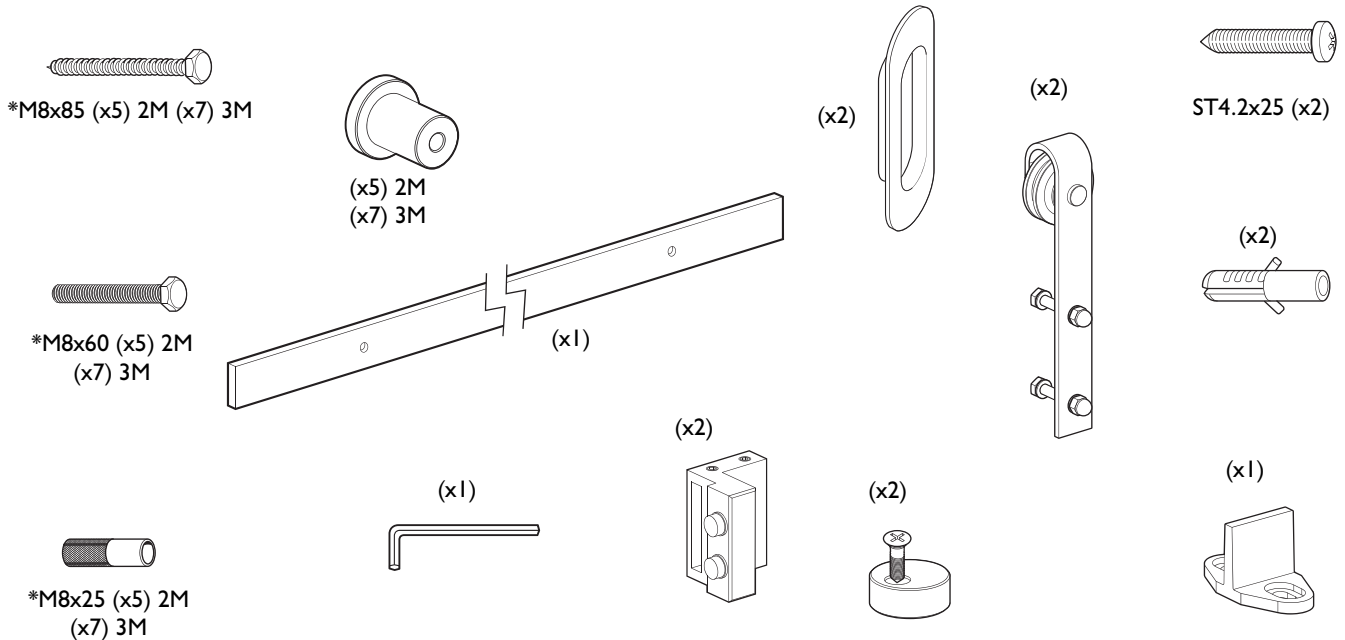
Or scan the QR code using your phone



### Tools Required

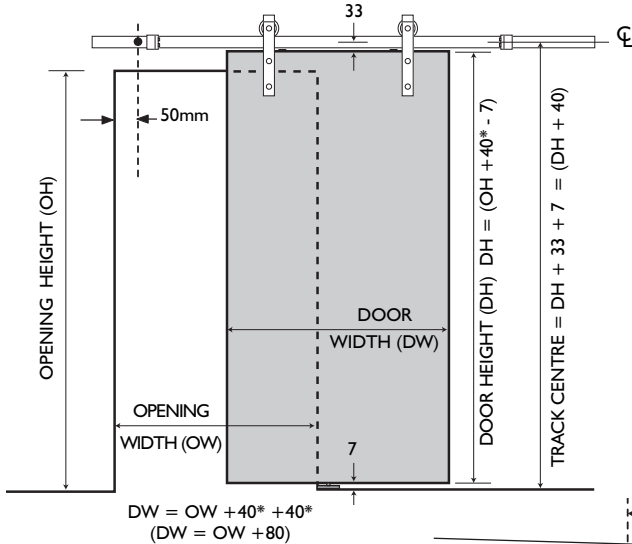


### Contents of Kit

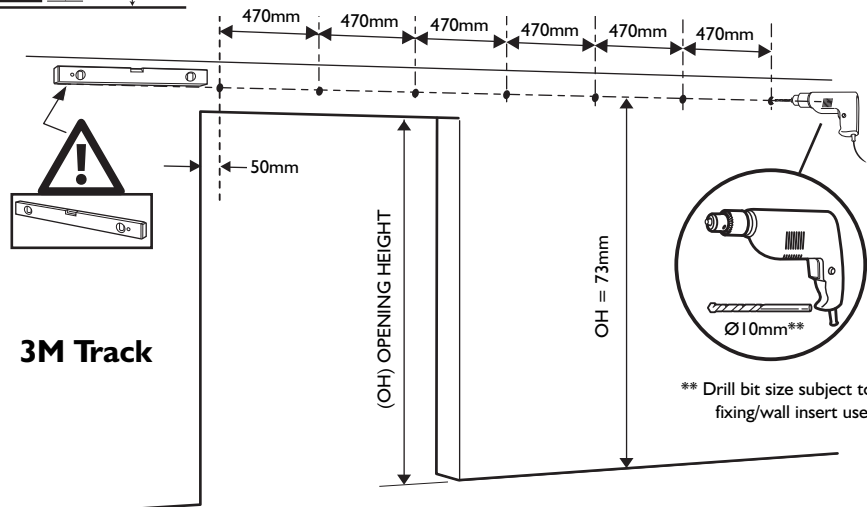
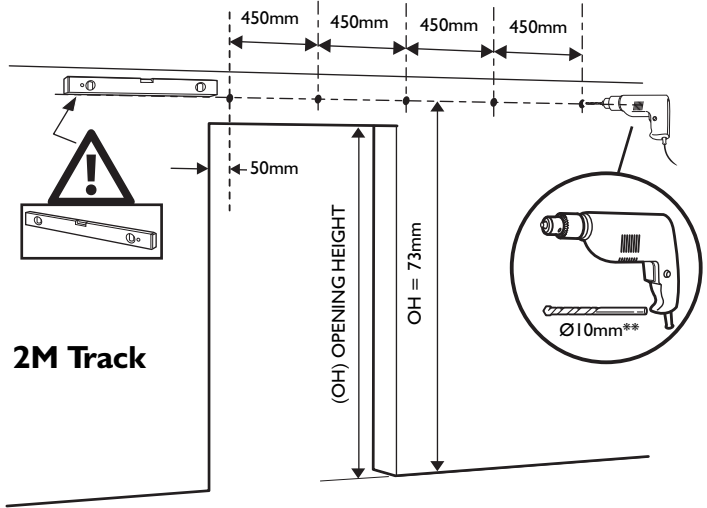


\*Alternative track fixings provided - depending on wall type

# I. Mark and drill fixing holes

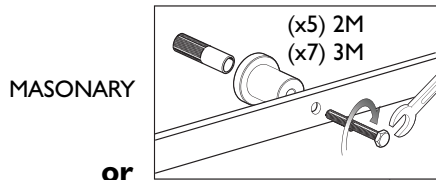


\*PCH Suggests 40mm overlap of the door to the opening.

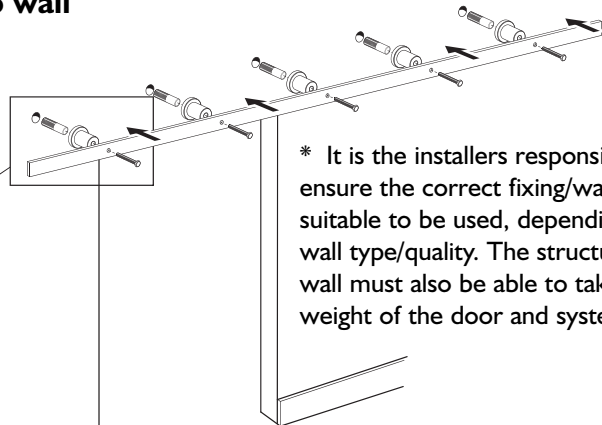
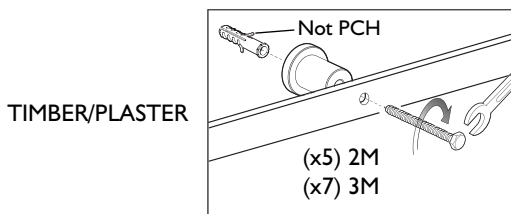


\*\* Drill bit size subject to track fixing/wall insert used.

# 2. Fix M8 screw inserts, spacers and track to wall

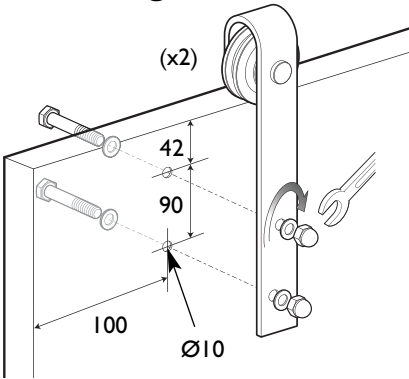


or

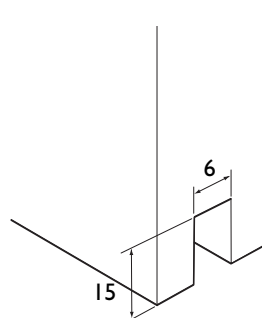


\* It is the installers responsibility to ensure the correct fixing/wall insert is suitable to be used, depending on wall type/quality. The structure of the wall must also be able to take the weight of the door and system.

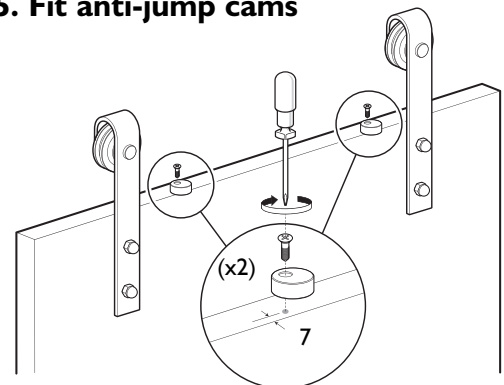
# 3. Fix hangers to door



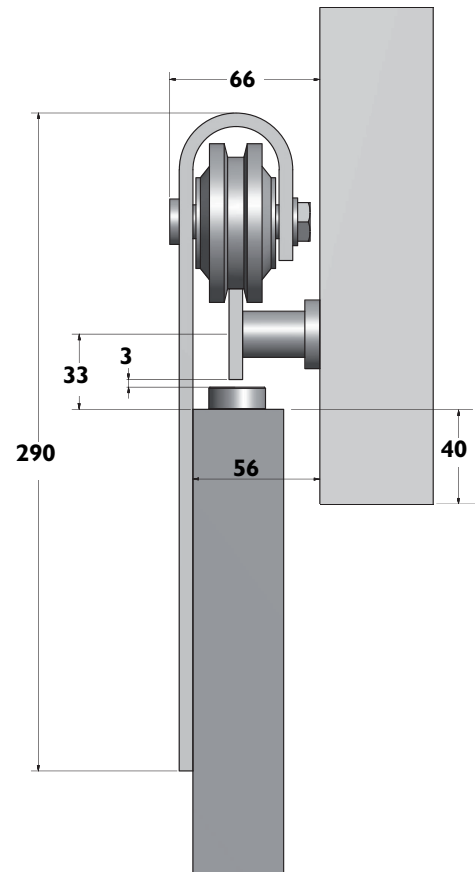
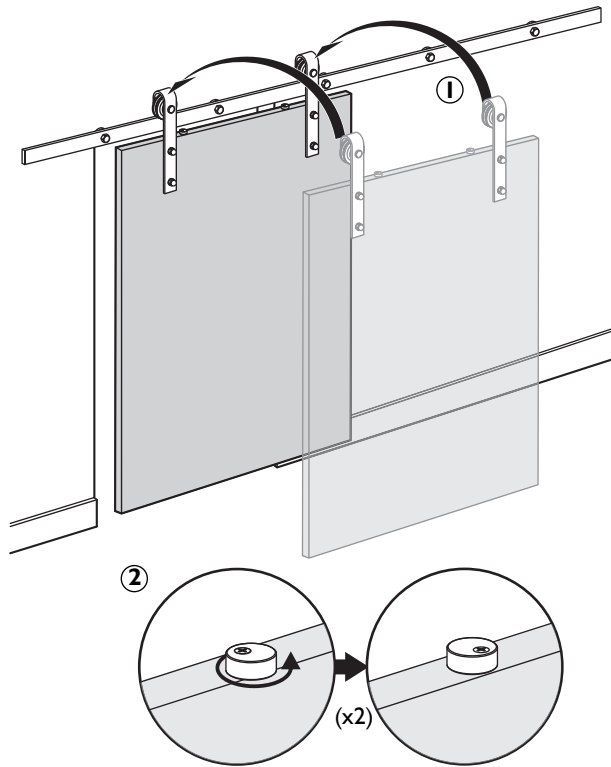
# 4. Floor guide routing detail



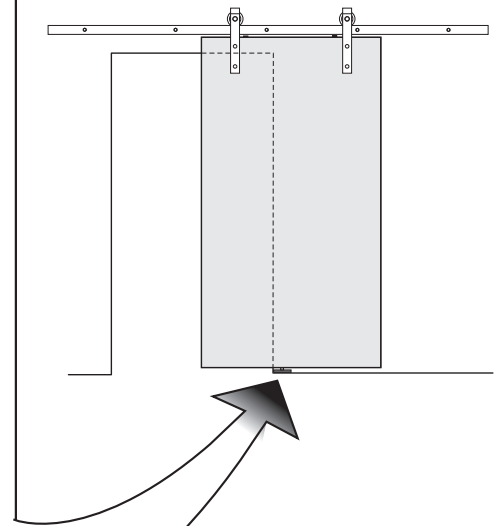
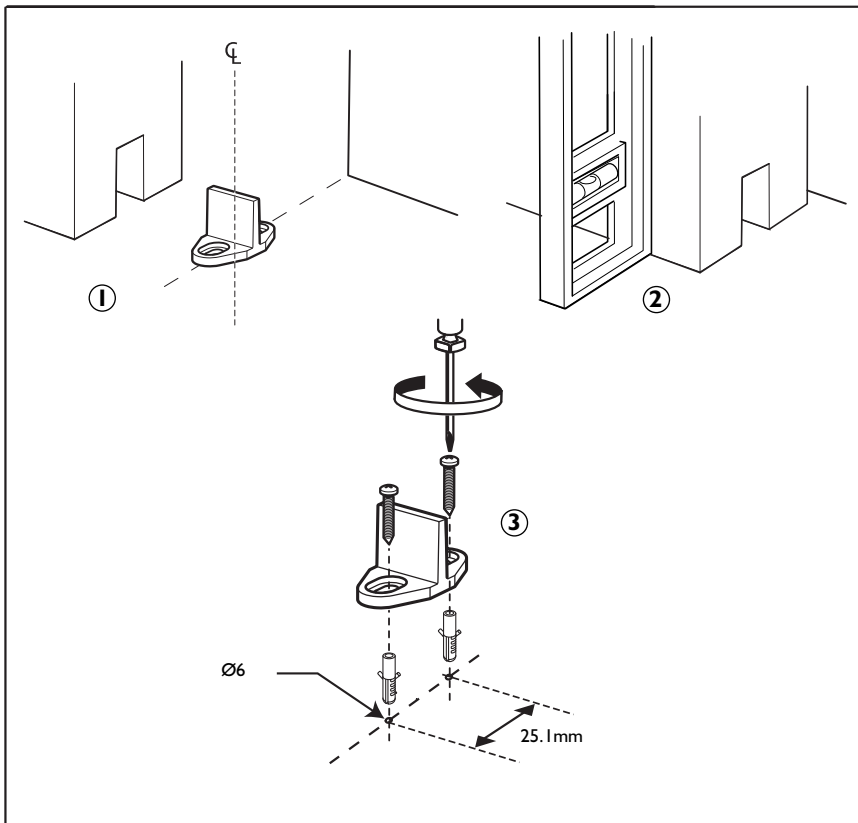
# 5. Fit anti-jump cams



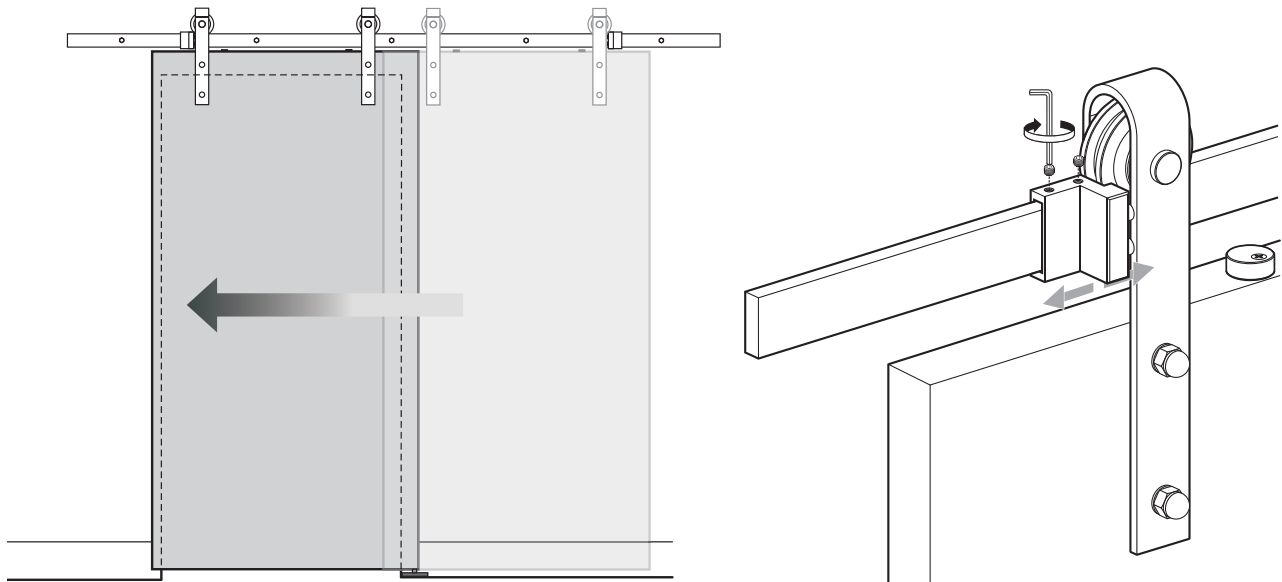
## 6. Hang door and adjust anti-just cams



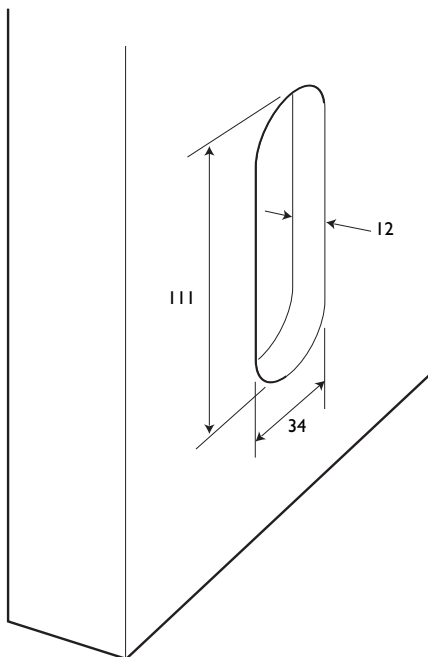
## 7. Fit floor guide



## 8. Fit and adjust door stops



## 9. Flush pull handle routing detail



## 10. Fit flush pull handle

