



FritsJurgens®

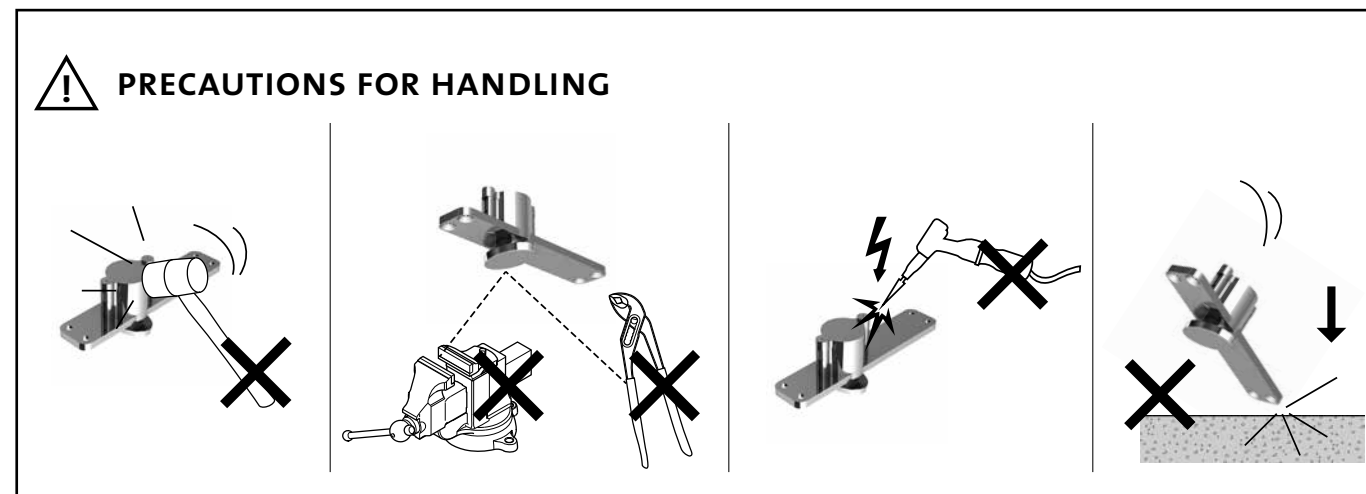
FritsJurgens Pivot Door System

SystemOne

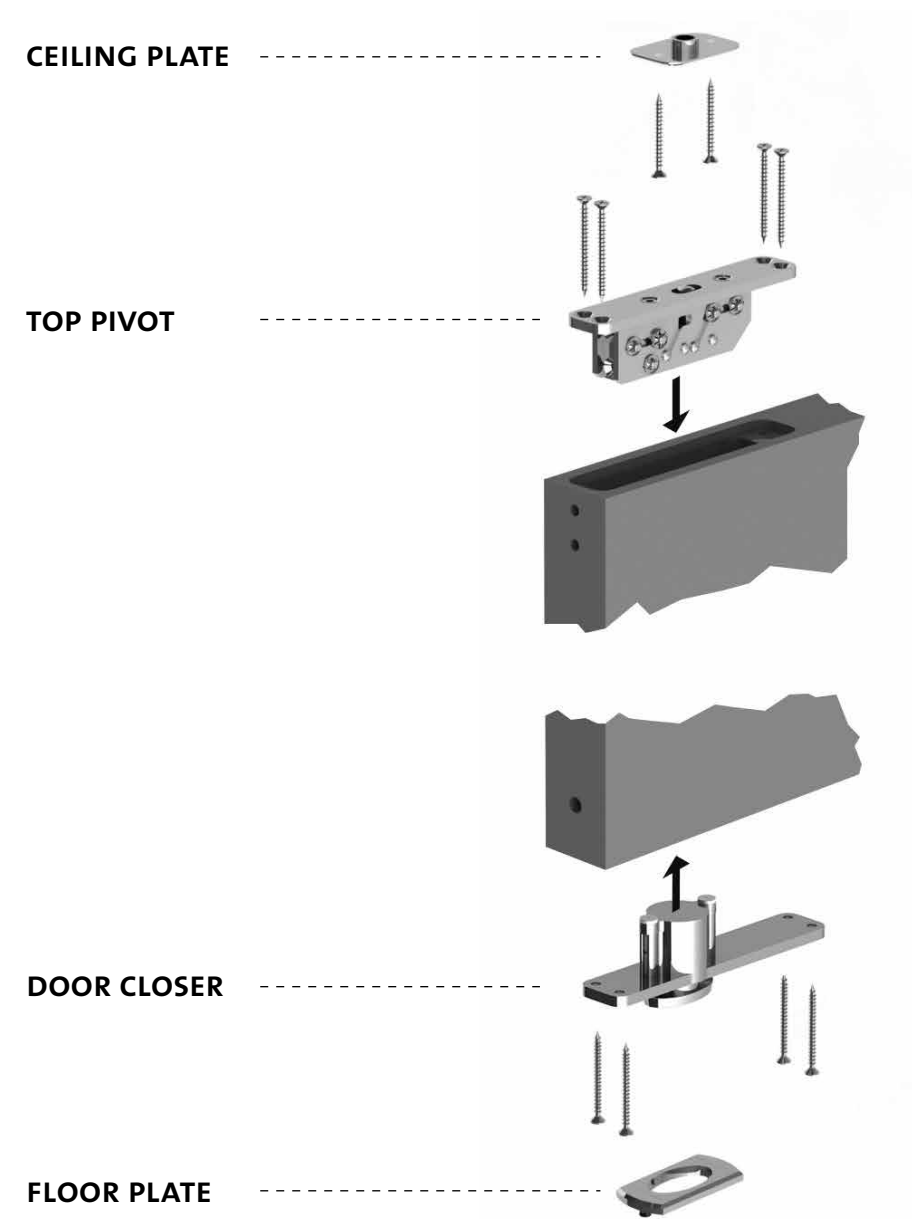
MOUNTING MANUAL
2015-06

INDEX

SITUATION	3
MILLING DRAWING	4
COMPONENTS	6
MANUAL	8



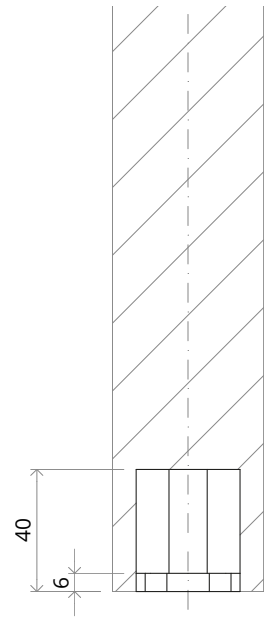
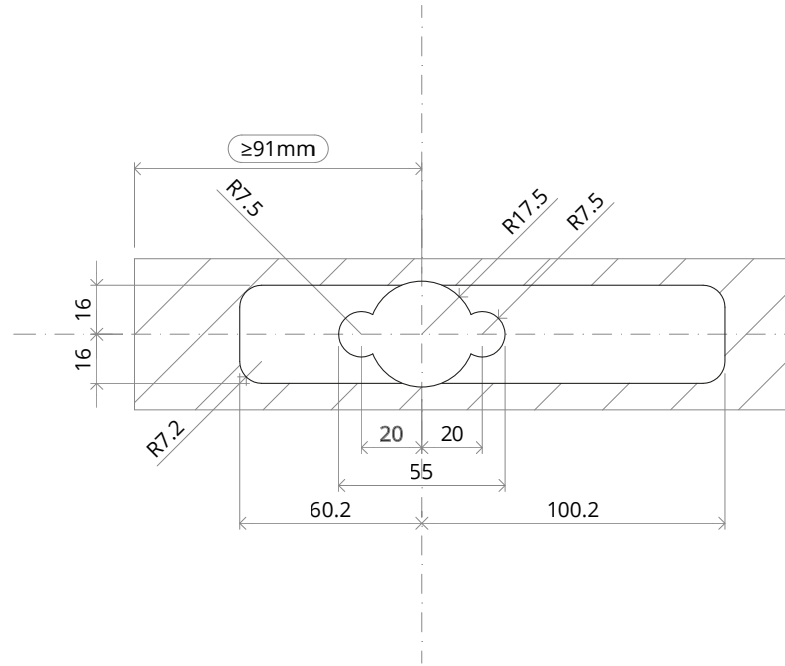
SITUATION



MILLING DRAWING

BOTTOM PIVOT

FRITSJURGENS MPDS-S80 RVS 0 WS

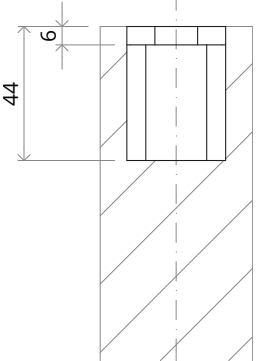
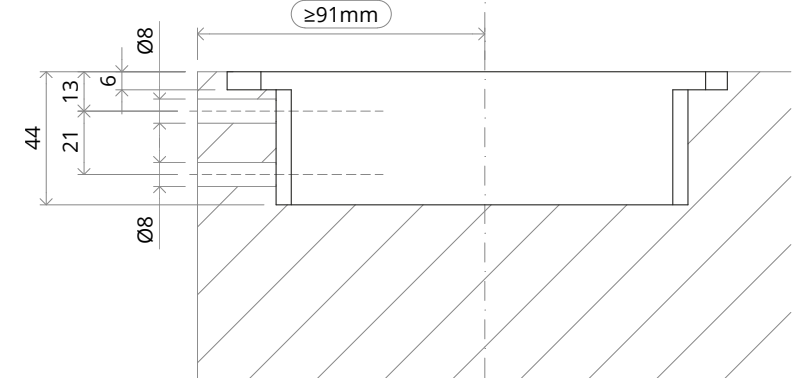
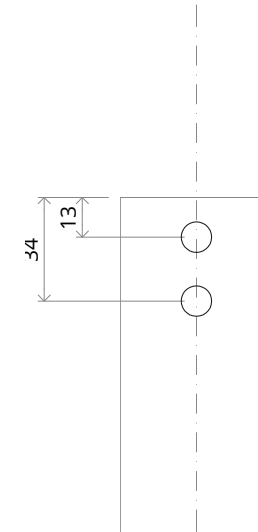
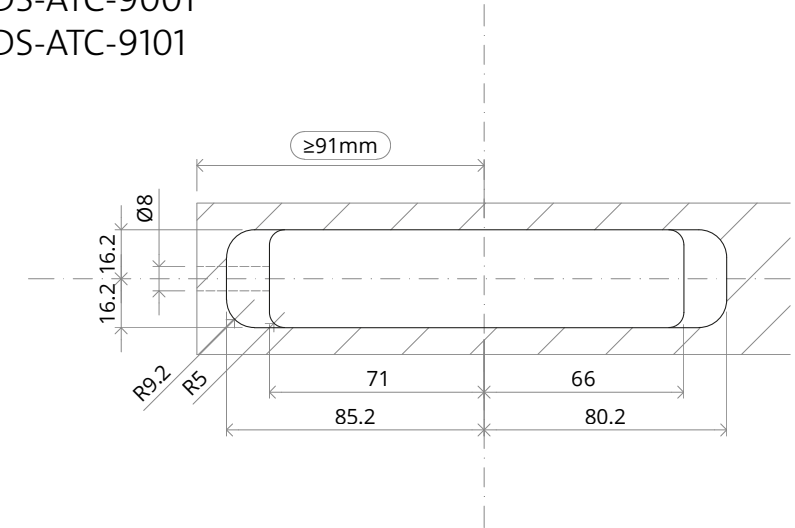


MILLING DRAWING

TOP PIVOT

FRITSJURGENS MPDS-ATC-9001

FRITSJURGENS MPDS-ATC-9101



COMPONENTS



BOTTOM PIVOT

FRITSJURGENS MPDS-S80 RVS 0 WS



TOP PIVOT

FRITSJURGENS MPDS-ATC-9001
FRITSJURGENS MPDS-ATC-9101 *

* Part deviates from picture



FLOOR PLATE

FRITSJURGENS VP 80x40-B11 RVS
FRITSJURGENS VPR 80-B01 RVS *
FRITSJURGENS VP 82x52-B01 RVS *

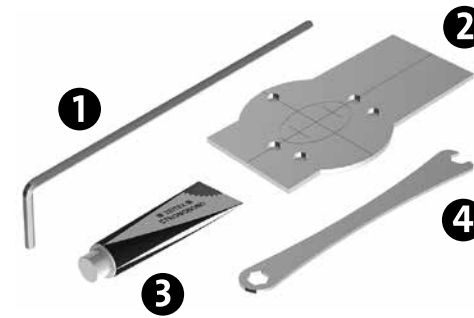
* Part deviates from picture



CEILING PLATE

FRITSJURGENS PP 40x60-B11 RVS
FRITSJURGENS PPR 80-B01 RVS *
FRITSJURGENS PP 40x60-B9101 *

* Part deviates from picture

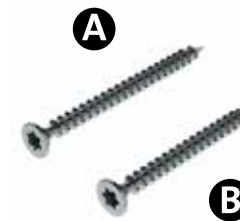


MOUNTING PACKAGE

FRITSJURGENS MP F-M SERIES

1. Allen wrench
2. Fitting template
3. Fitting adhesive *
4. Adjustment spanner

* For bro's floors use chemical mortar



SCREWS

FRITSJURGENS FASTENING

- A. Screw 6 x 60 RVS (2x)
- B. Screw 4 x 50 RVS (8x)

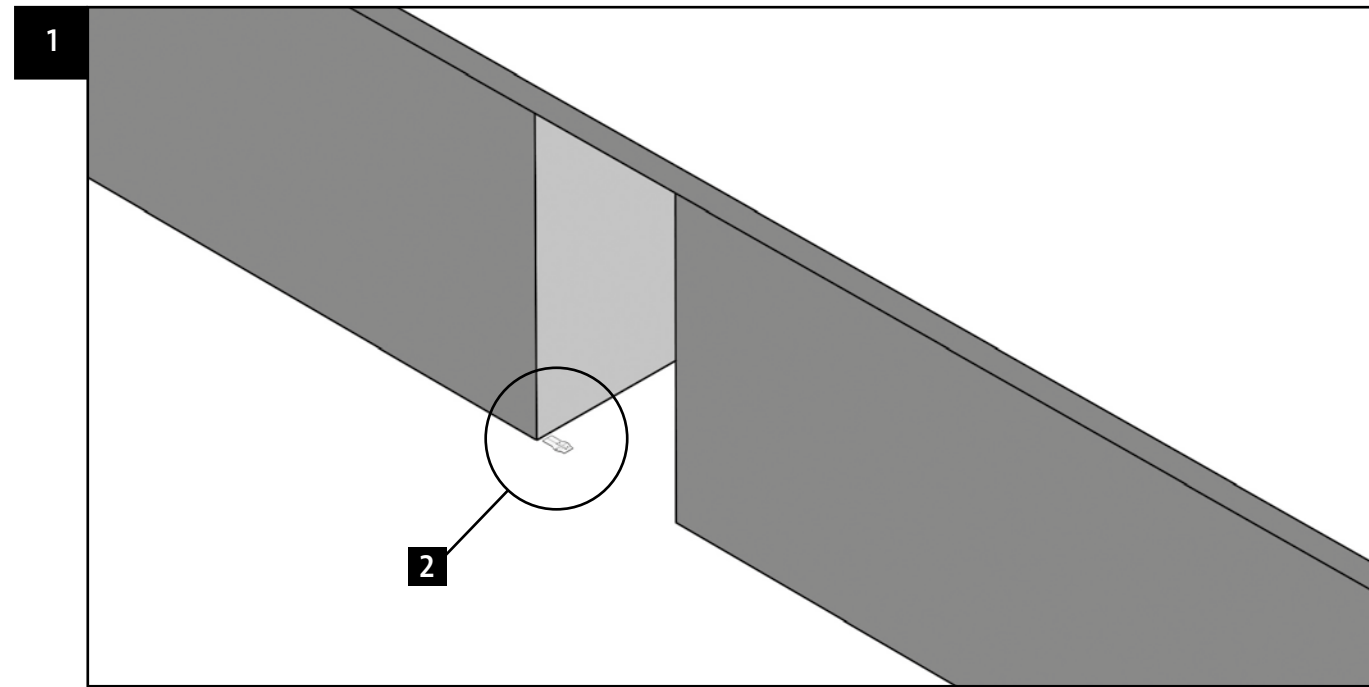


IMAGE FJ01

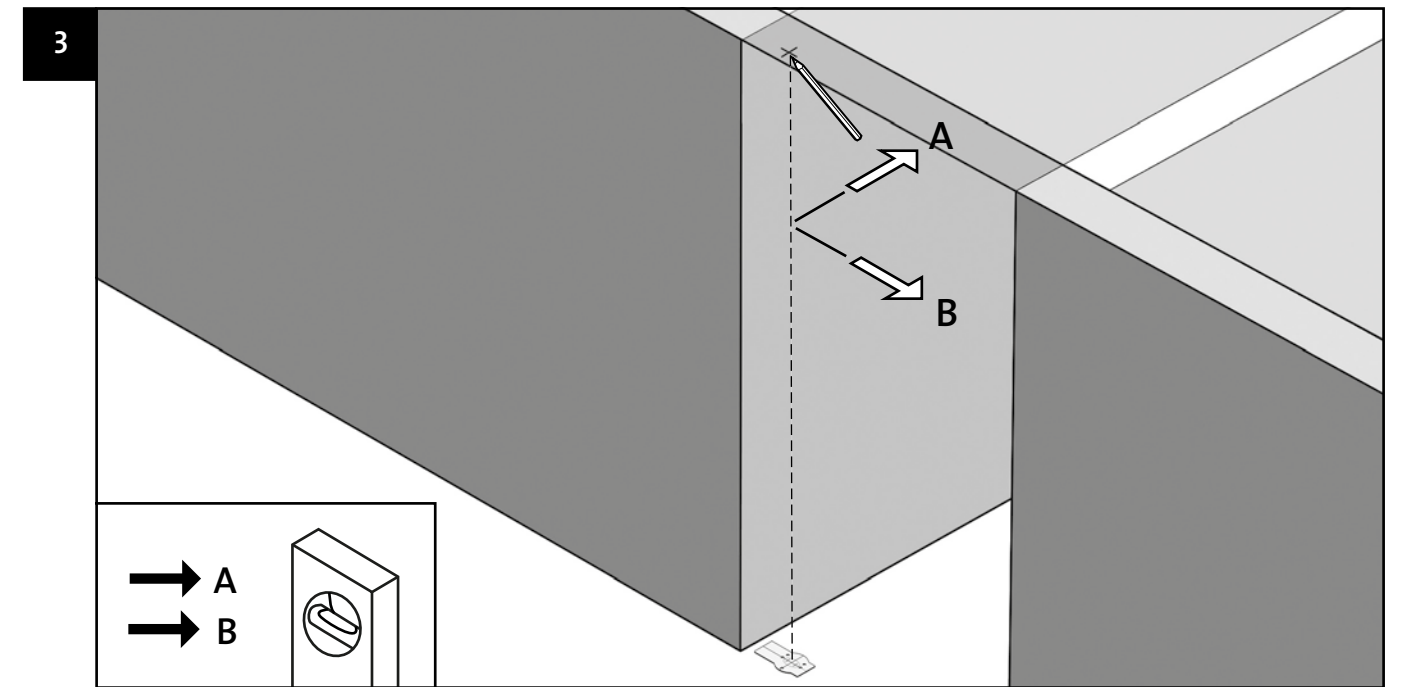


IMAGE FJ03

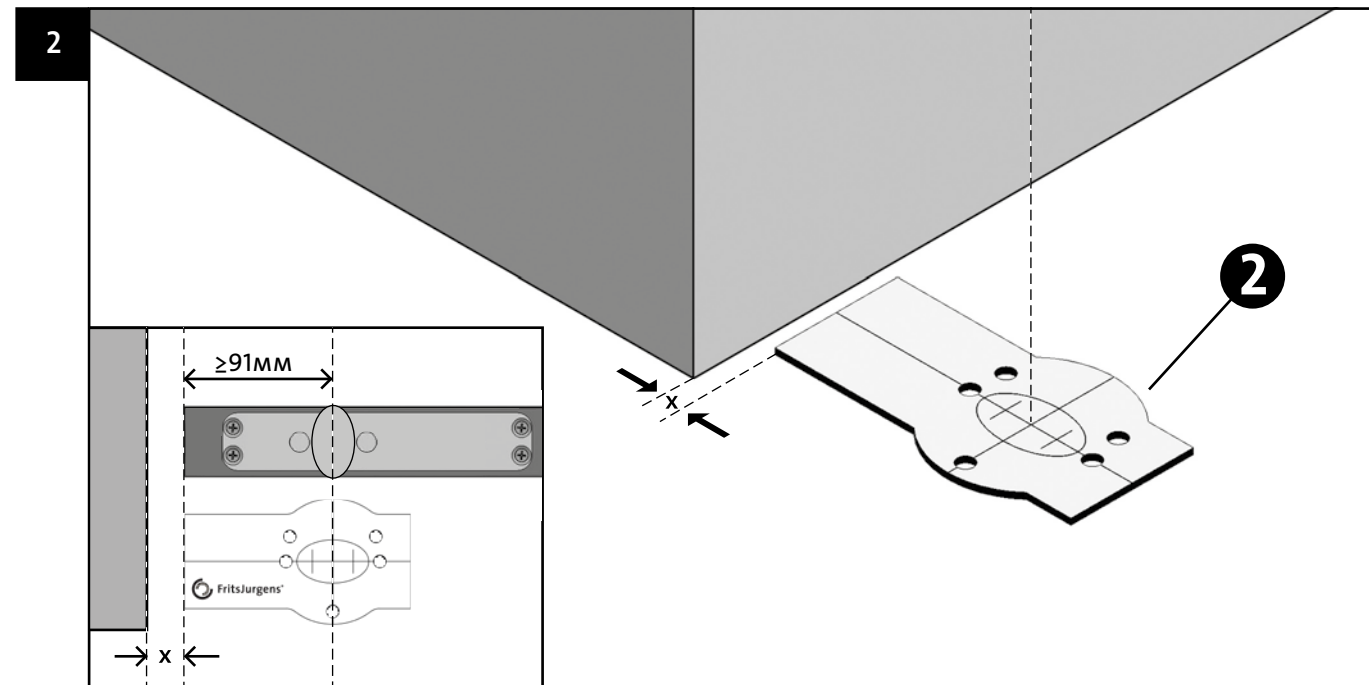


IMAGE FJ02

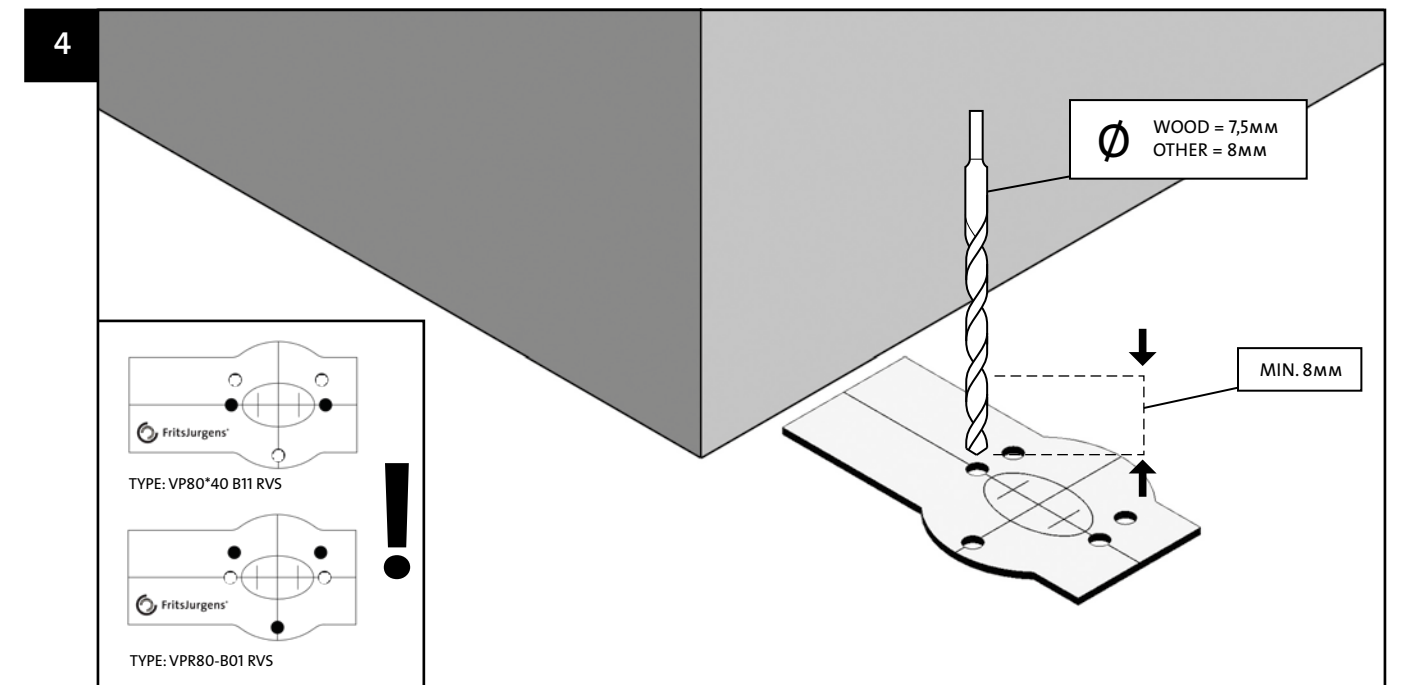


IMAGE FJ04

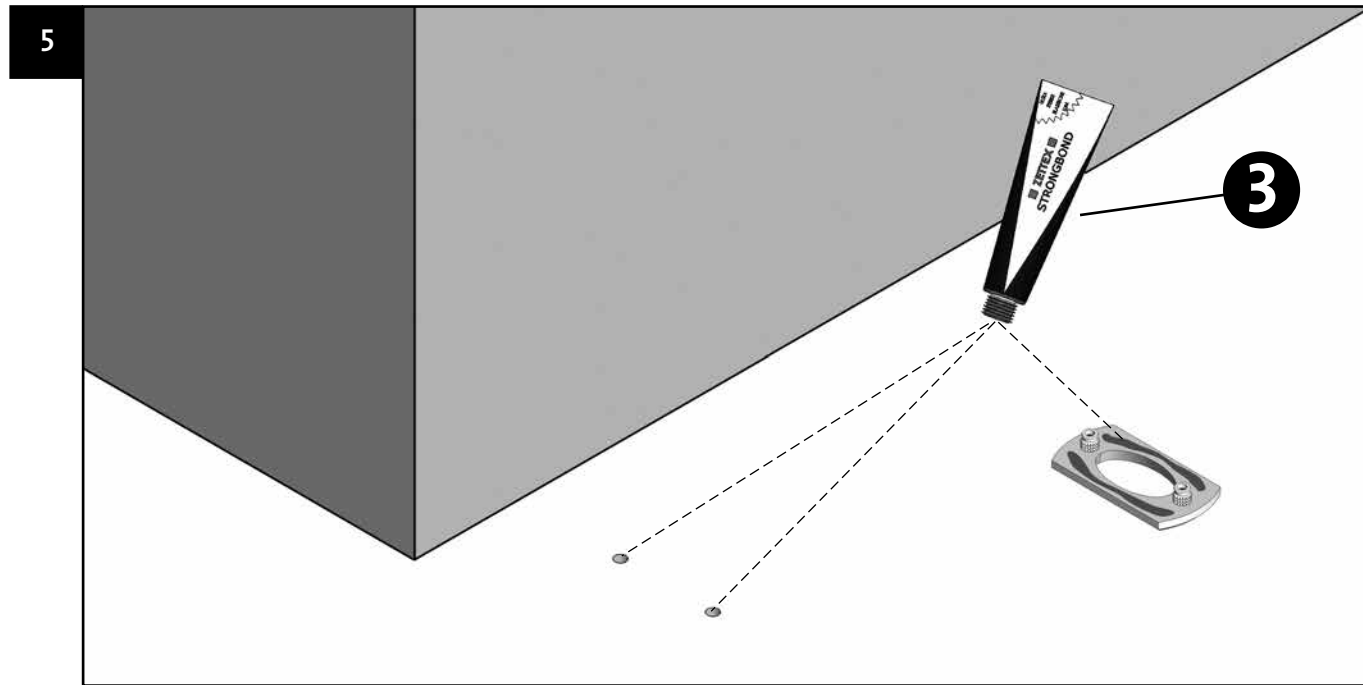


IMAGE FJ05

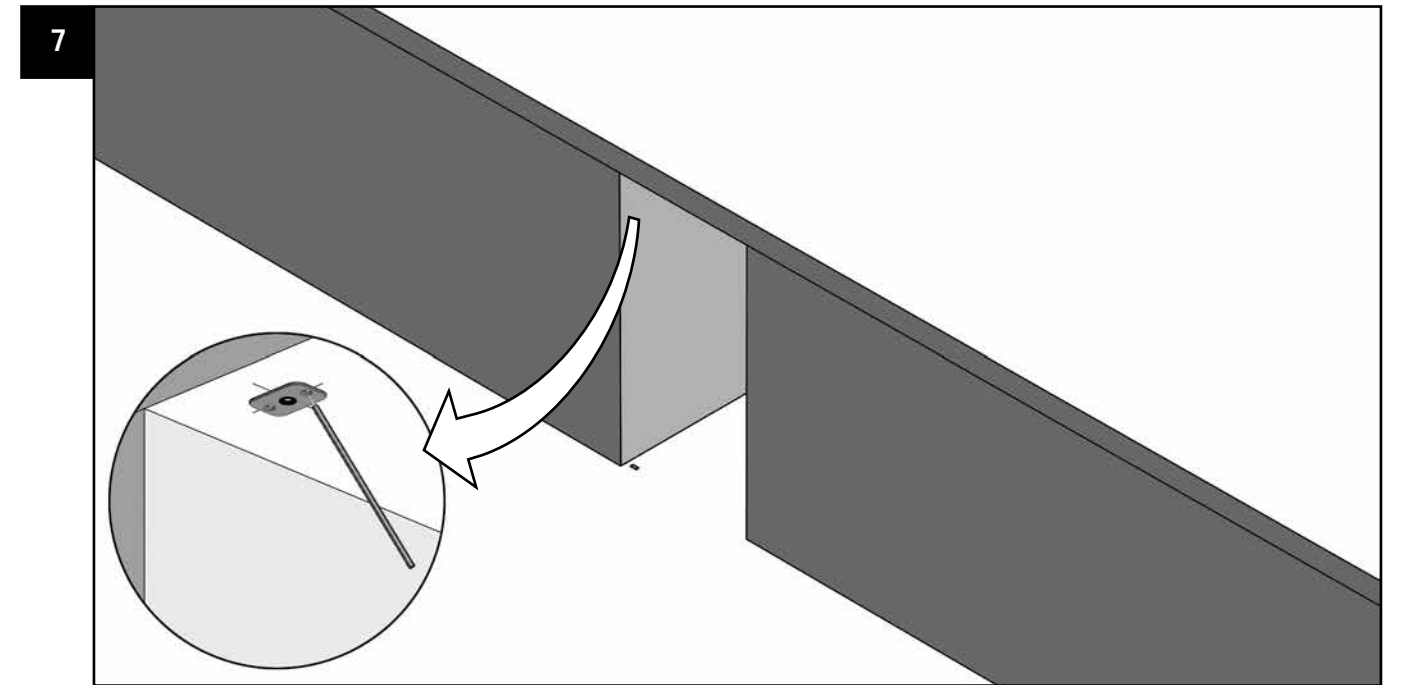


IMAGE FJ07

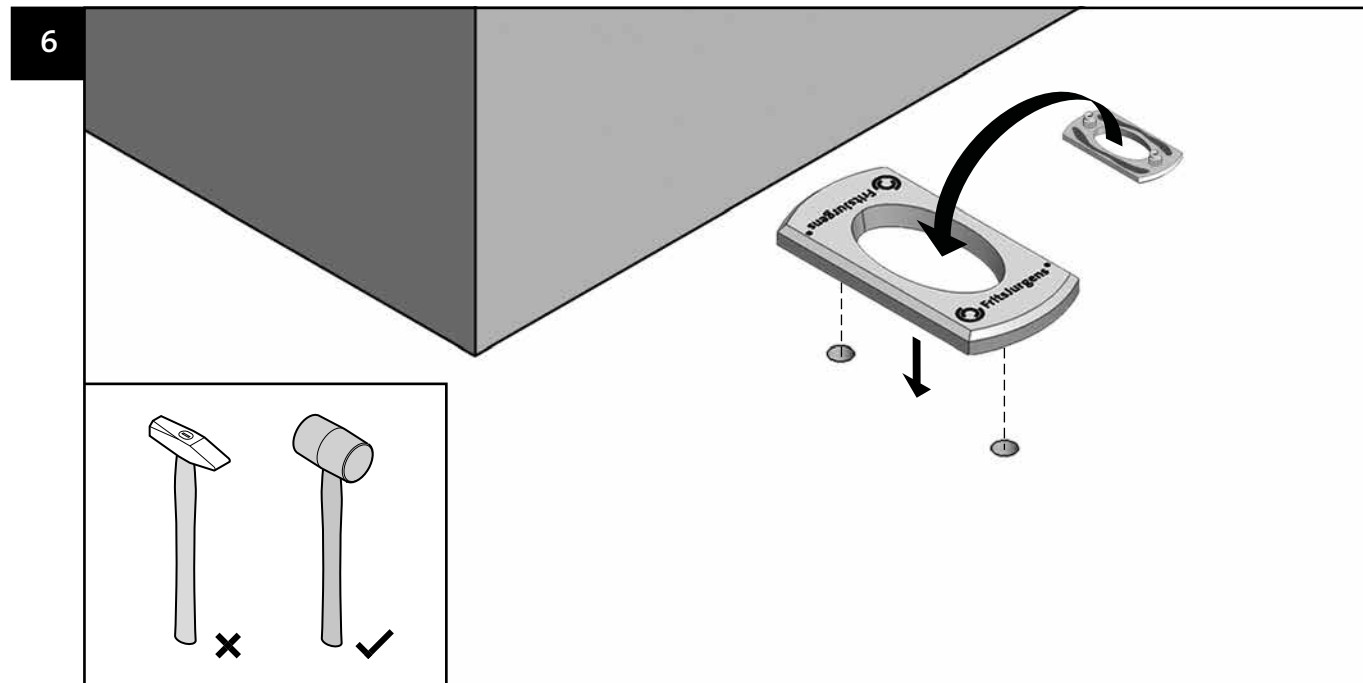


IMAGE FJ06

8	WOOD		A
	STONE		* + A
	STEEL		* M5

IMAGE FJ08

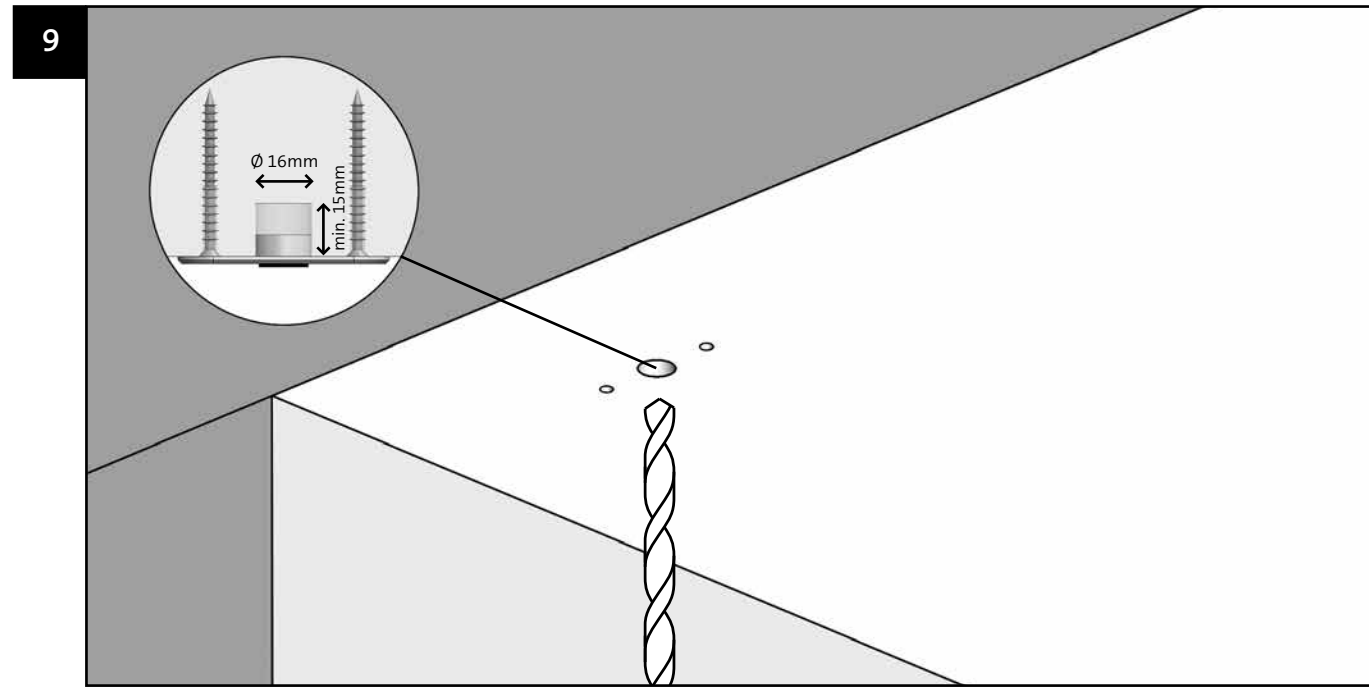


IMAGE FJ09

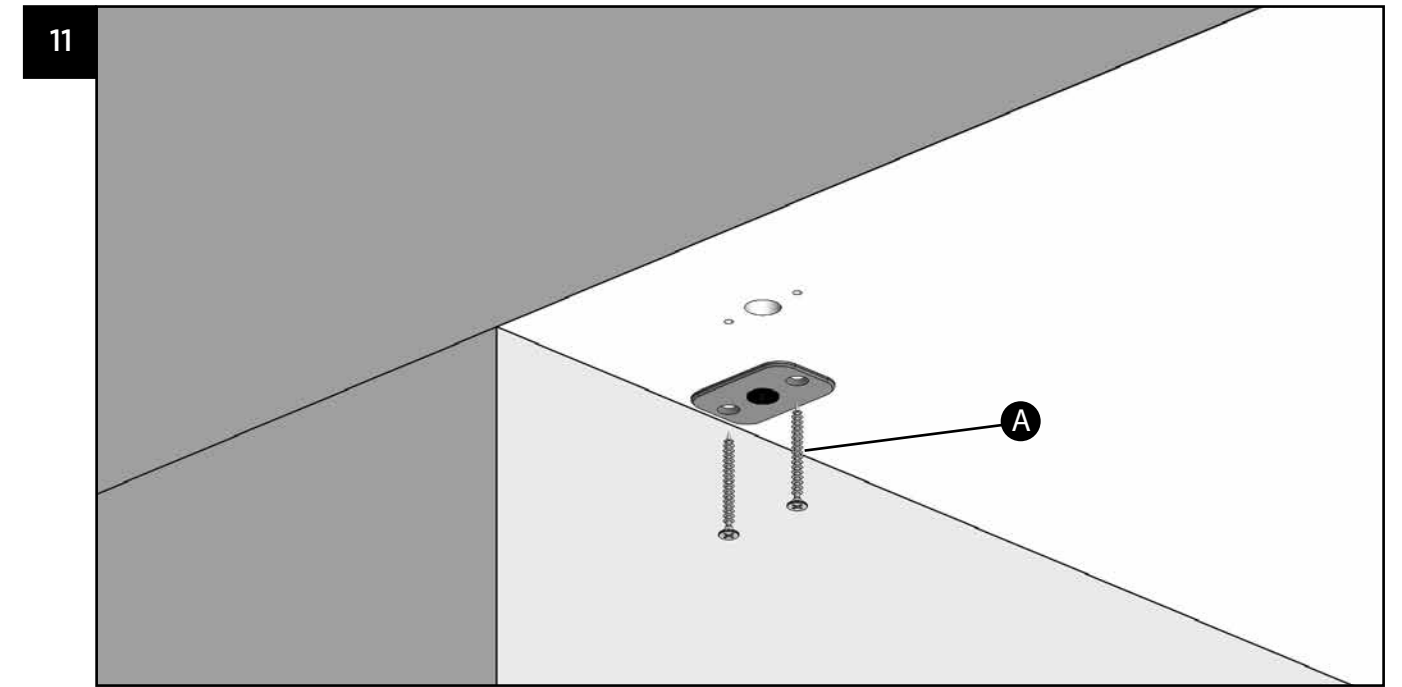


IMAGE FJ11

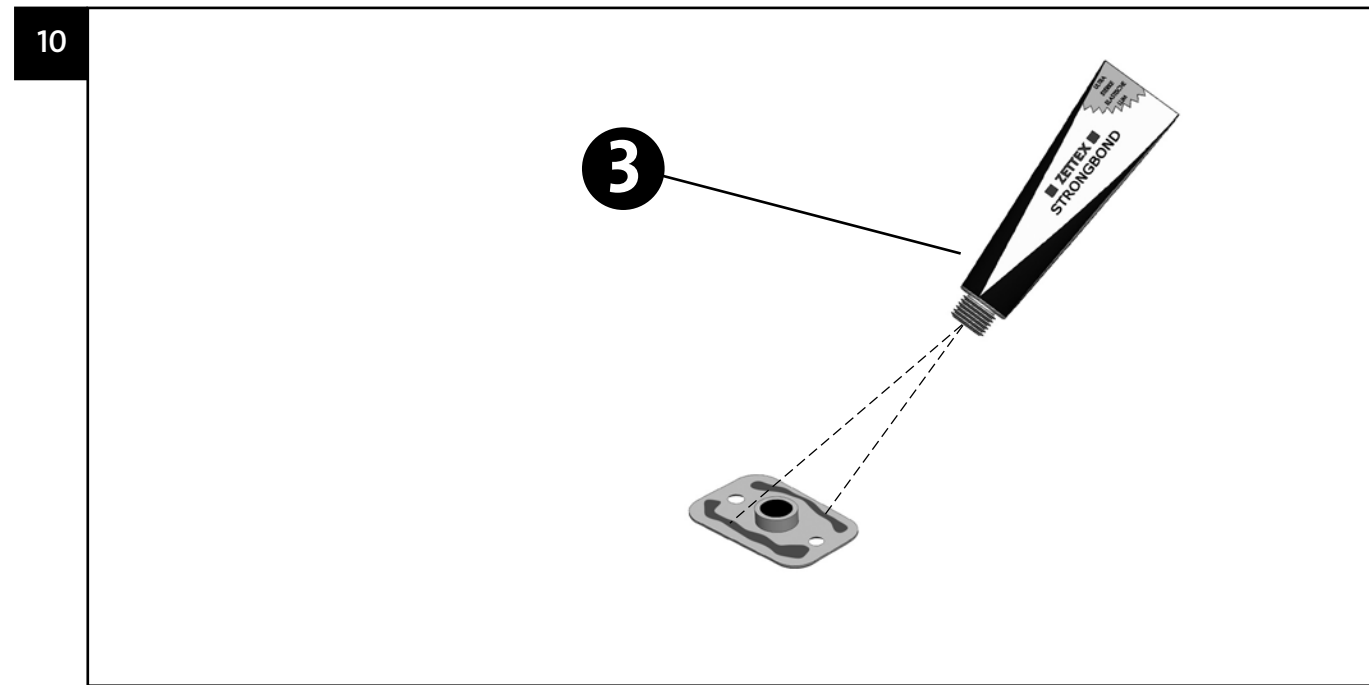


IMAGE FJ10

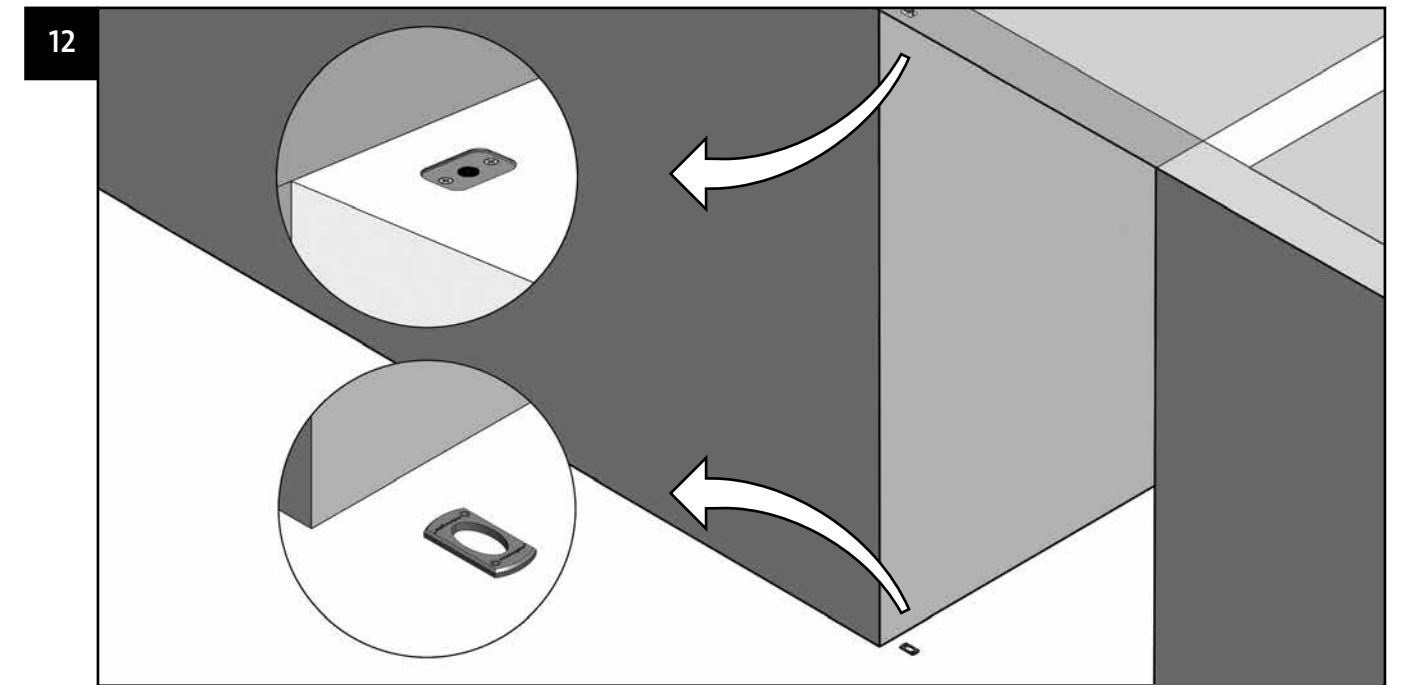


IMAGE FJ12

13

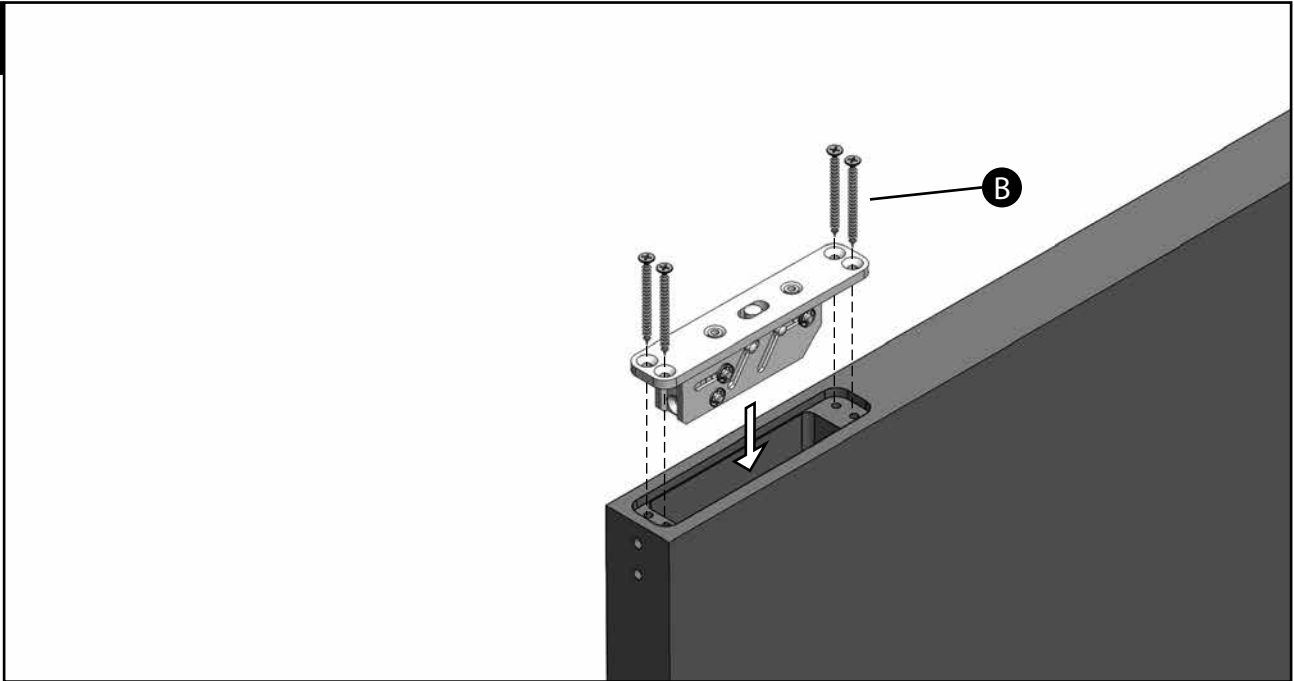


IMAGE FJ13

15

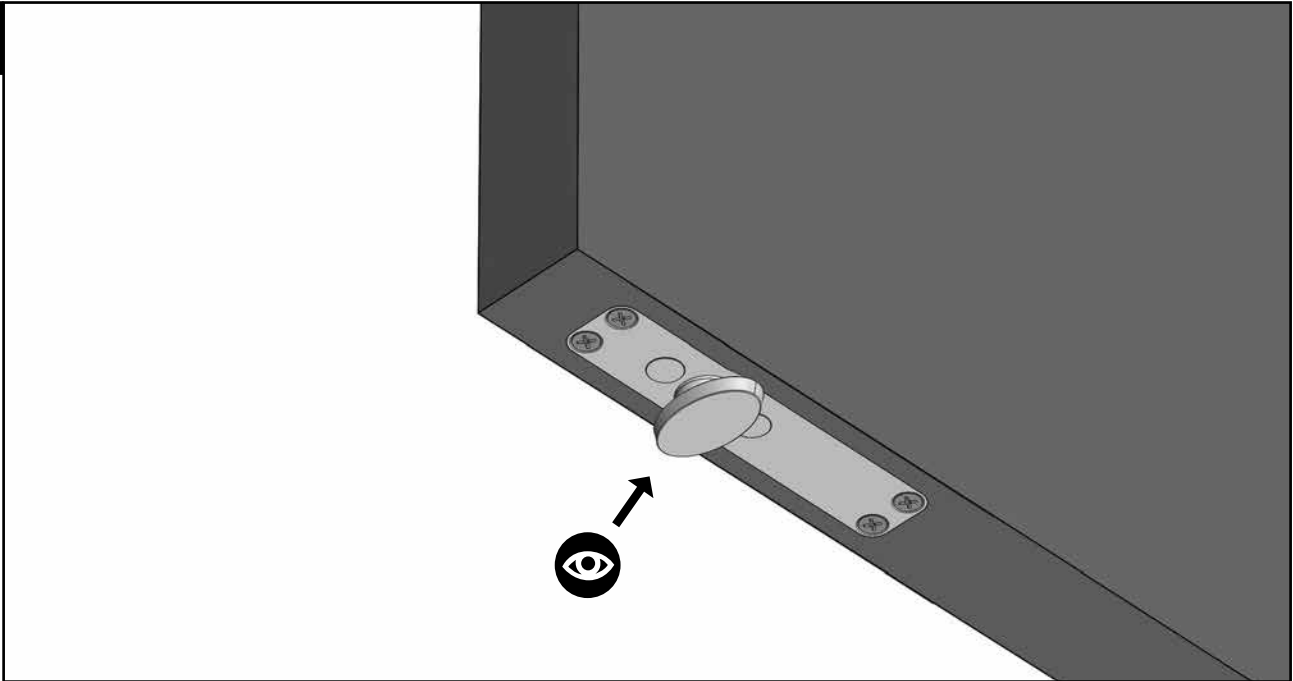


IMAGE FJ15S1

14

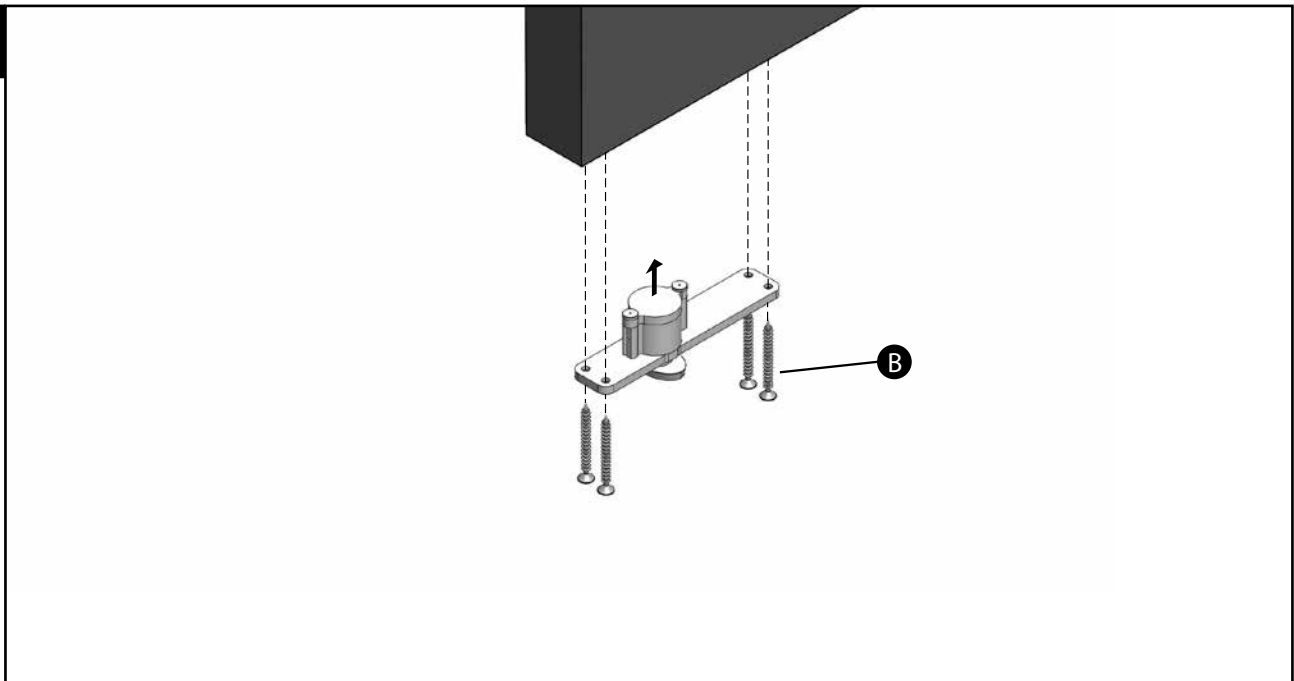


IMAGE FJ14S1

16

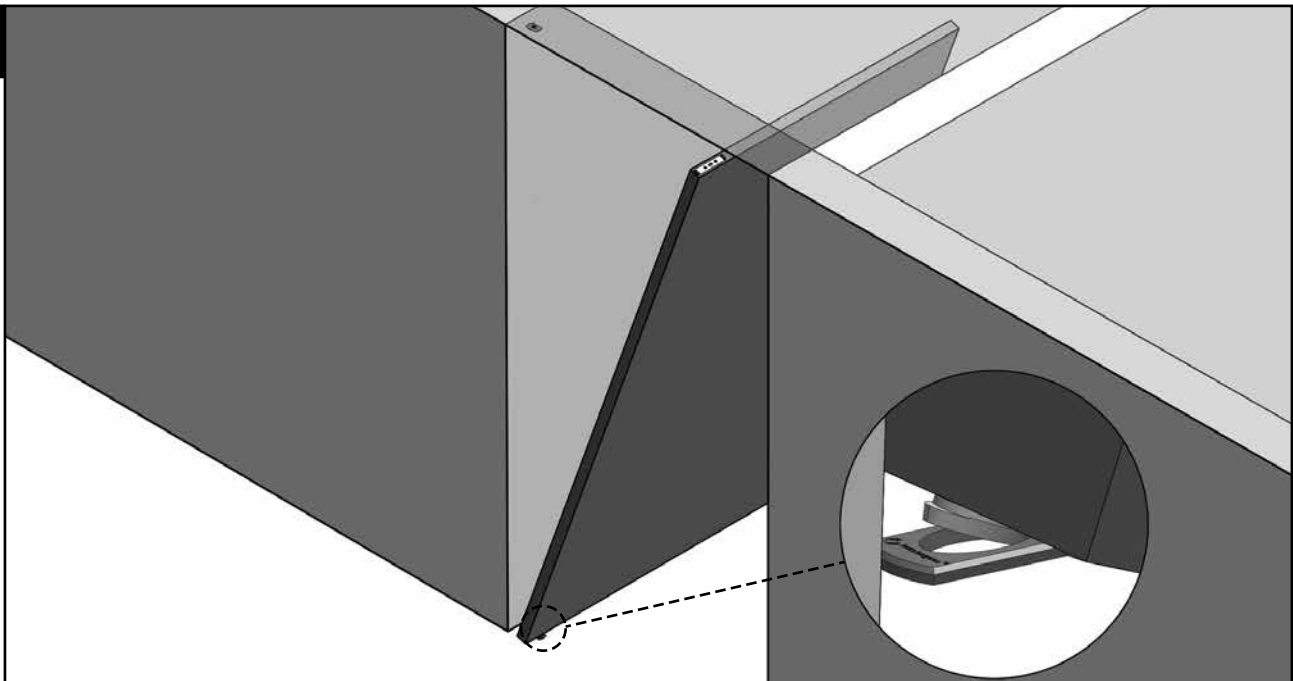


IMAGE FJ16S1

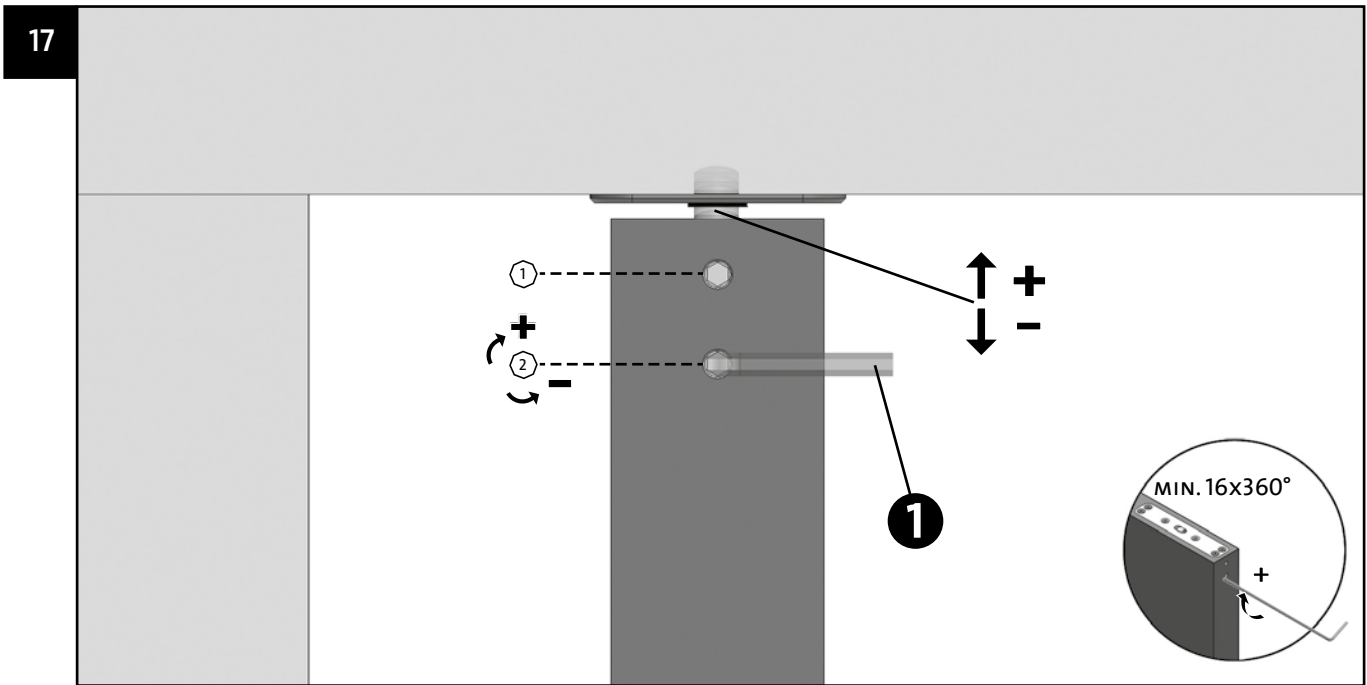


IMAGE FJ17

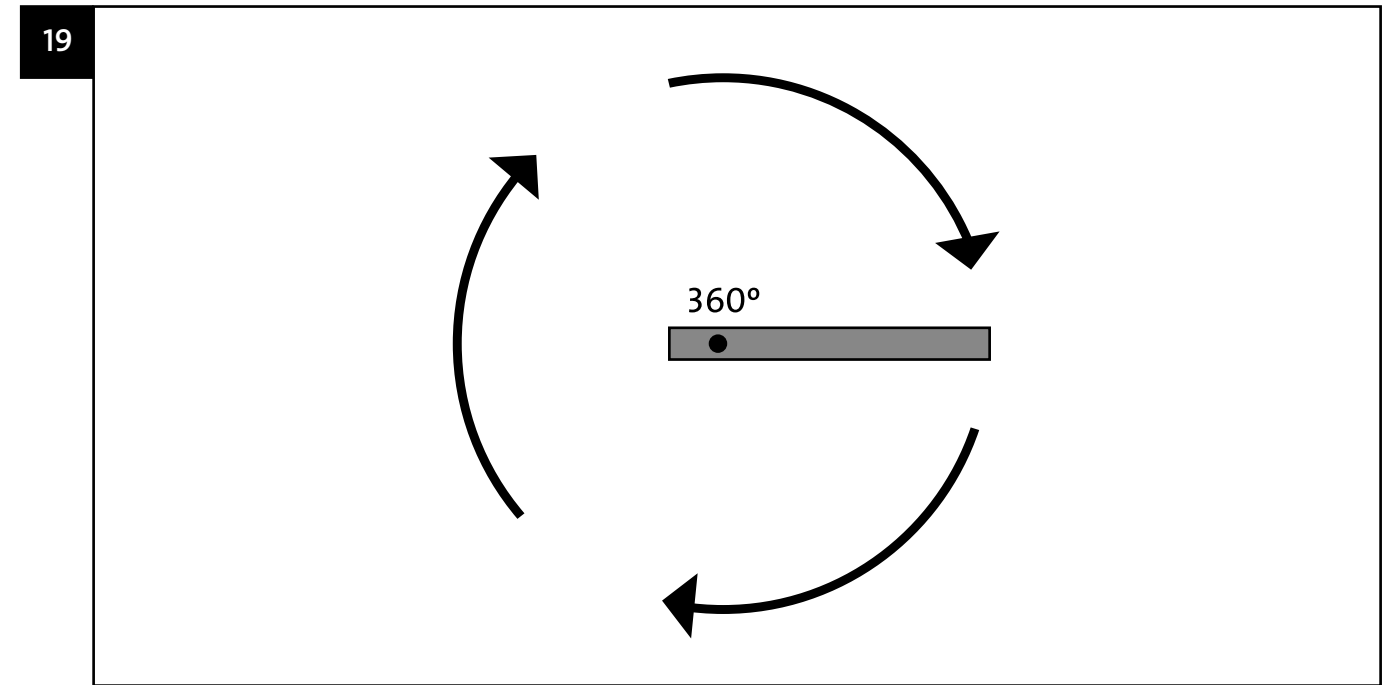


IMAGE FJ2451

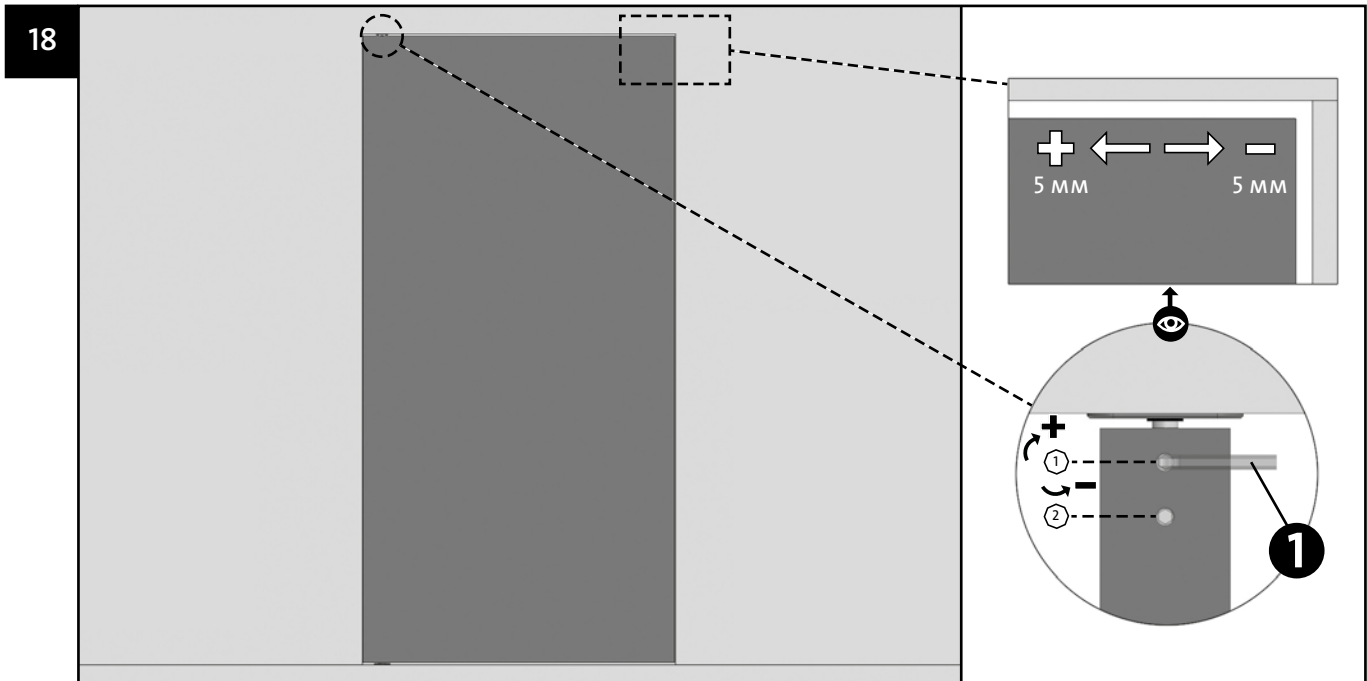


IMAGE FJ18



www.fritsjurgens.com

