

Atomika

PATENTED

Concealed and adjustable hinge for doors.
Made of steel.

MADE IN ITALY

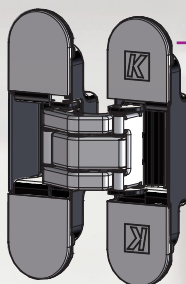
Art. K 8000 CS

<p>Version</p> <p>STEEL</p>	<p>Finishing</p>	<p>Hinge centered on the door leaf</p> <p>min. 38 mm max 45 mm</p>	<p>Hinge non-centered on the door leaf</p> <p>≥ 38 mm</p>
<p>60 kg (2 hinges)</p>	<p>COVER</p>	<p>180°</p>	<p>Adjustments</p>



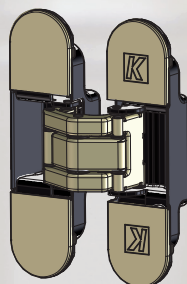
OPTIONAL
Cover with screw

Satin chrome



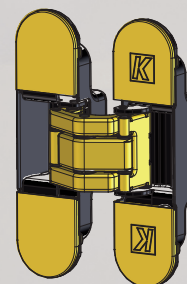
Art. K 8000 CS

Satin Nickel



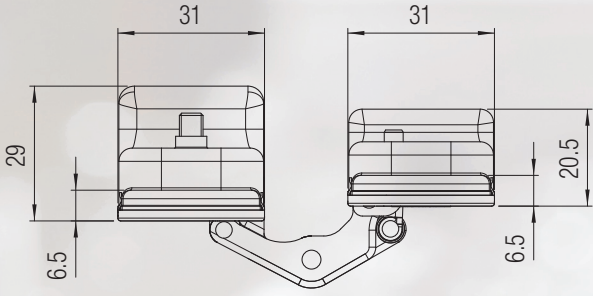
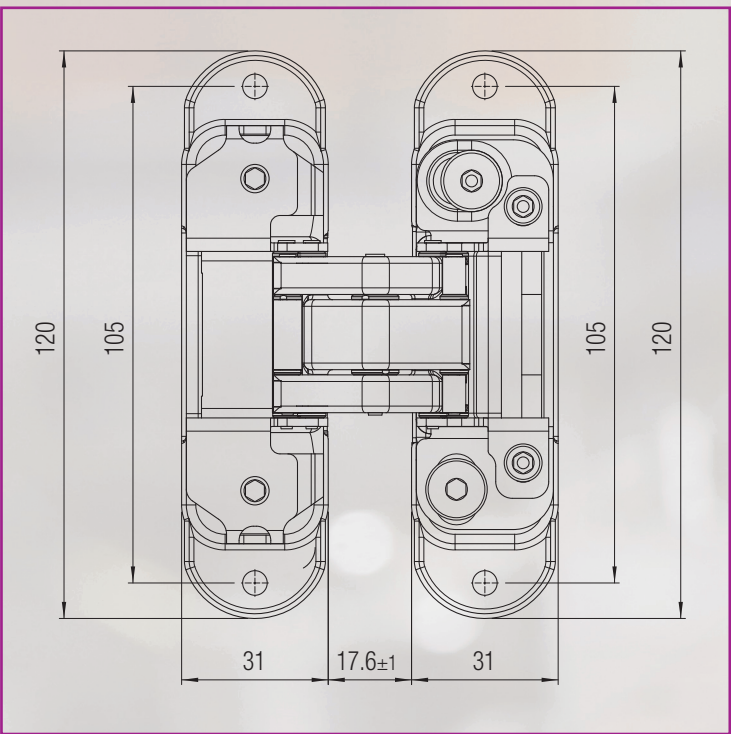
Art. K 8000 NS

Polished gold

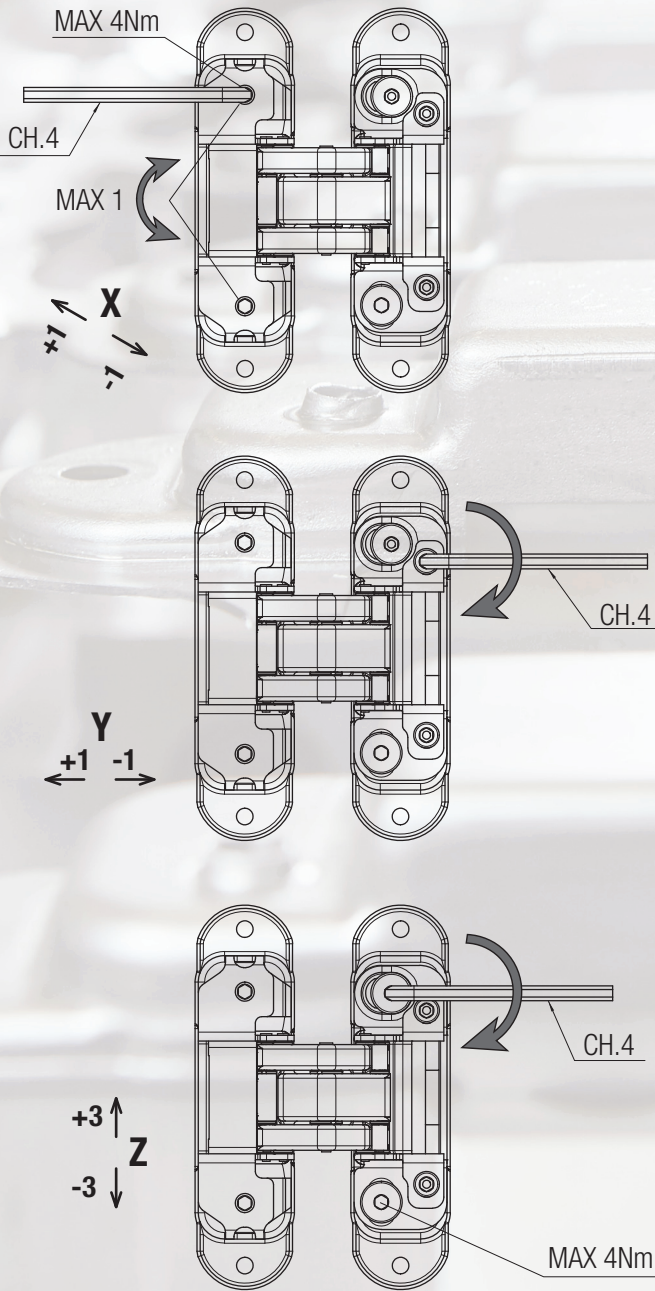
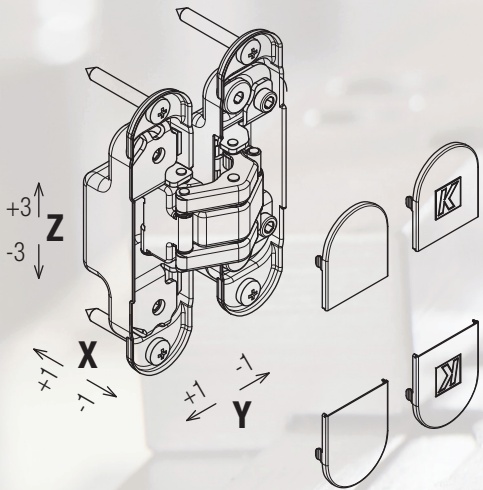


Art. K 8000 OL

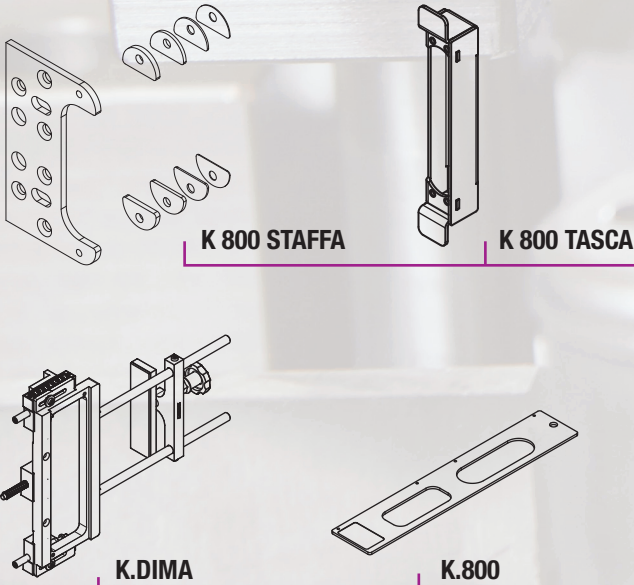
TECHNICAL DRAWINGS



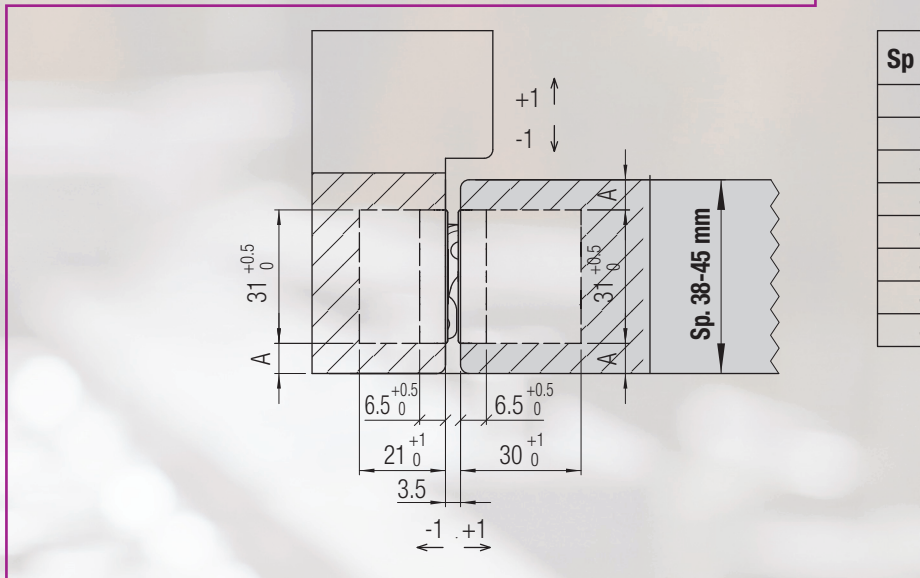
ADJUSTMENTS



ACCESSORIES

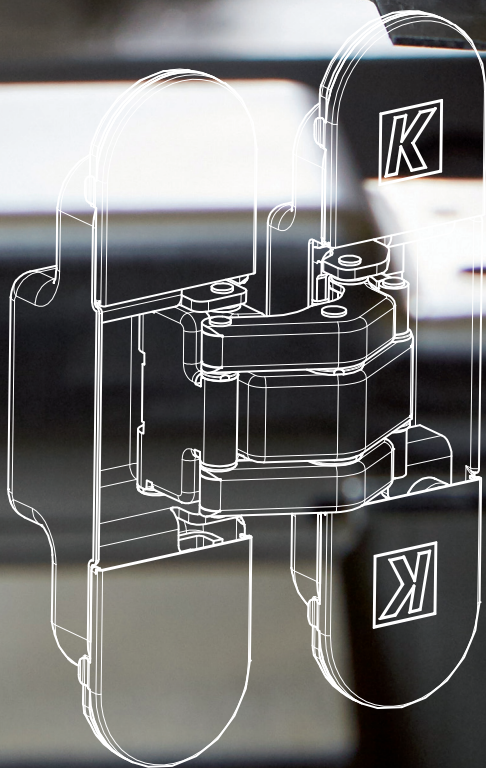
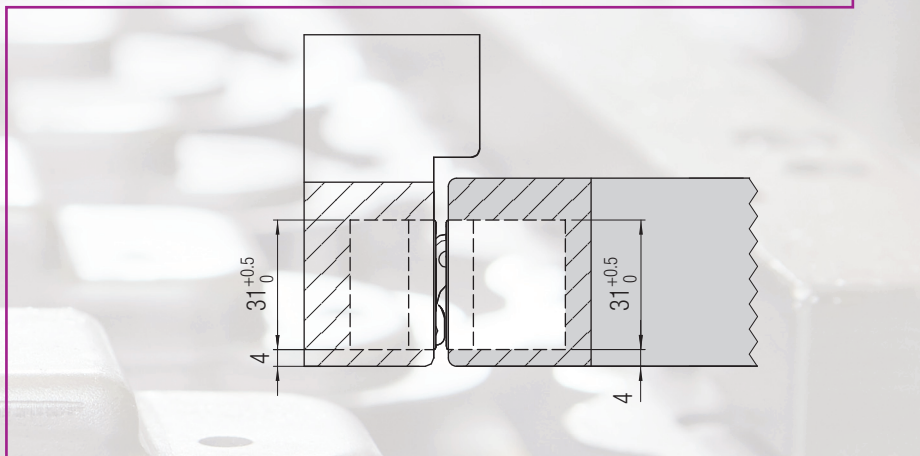


HINGE CENTERED ON THE DOOR LEAF



Sp (mm)	A
38	3.5
39	4
40	4.5
41	5
42	5.5
43	6
44	6.5
45	7

HINGE NON-CENTERED ON THE DOOR LEAF



Atomika

PATENTED