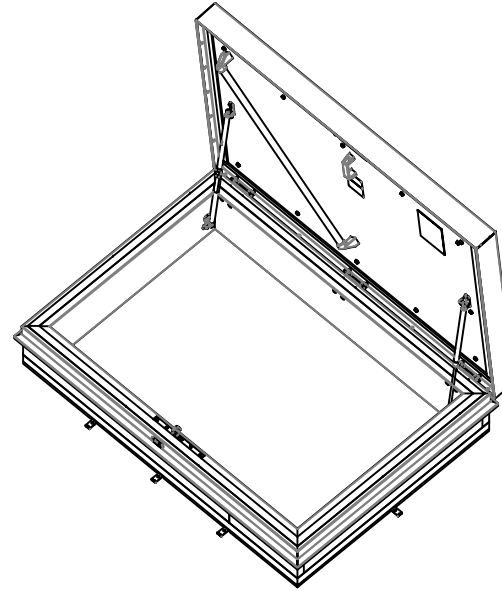
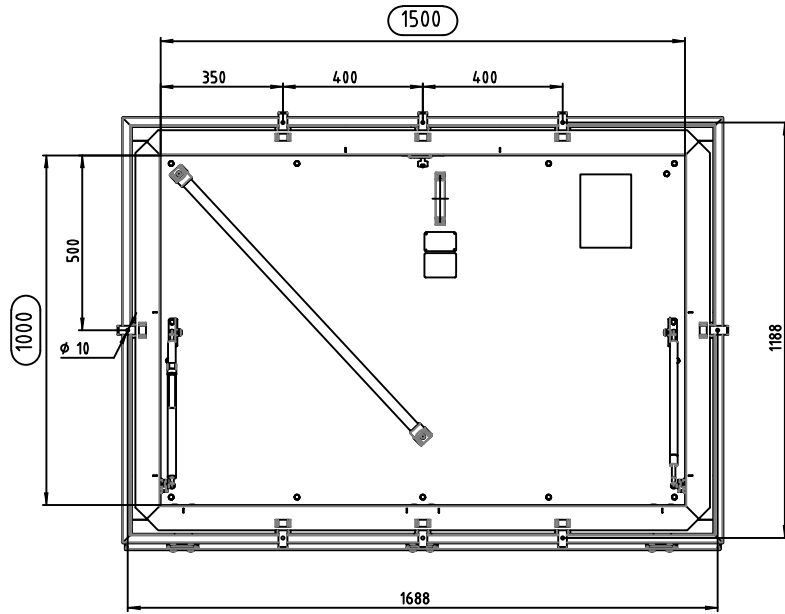
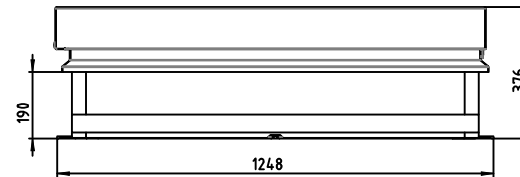
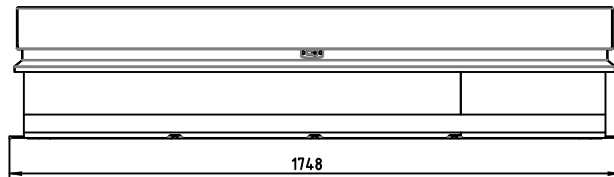
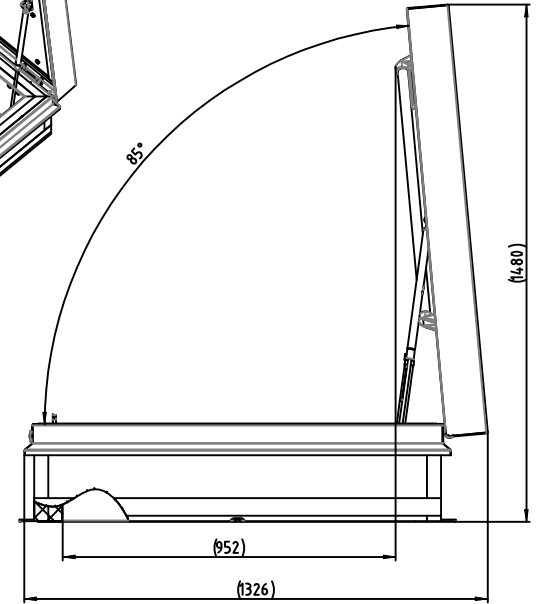


Copyright © 2017 by The Gortor Company BV - Schagen, the Netherlands  
 All rights reserved. This drawing is the property of publisher and incorporates specifications and designs in which publisher has proprietary rights.  
 No part may be reproduced, stored in a database or retrieval system or published in any form or any way without prior written permission from the publisher.



SCALE 1 : 15



										The Gortor Company BV	
										PO Box 295 NL-1160 AG SCHAGEN www.gortor.com E-mail: sales@gortor.com Tel: +31 224 21 98 80 Fax: +31 224 21 98 81	
										Designation Roof Hatch RHT	
										Drawing number RHT-1000-1500	
										Rev 00	
										1/1 A2	
										Projection view 	
										Scale 1:10	