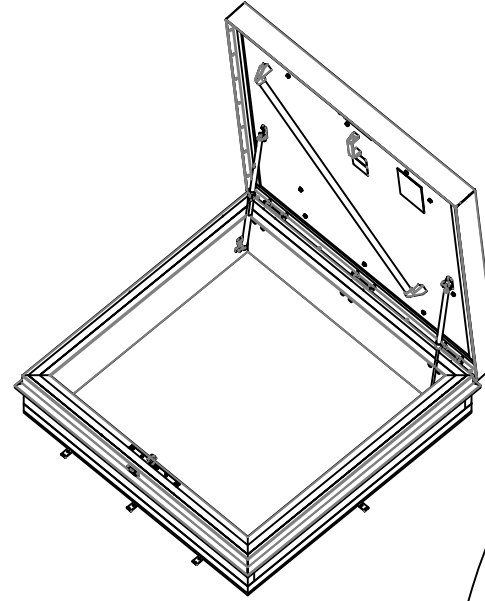
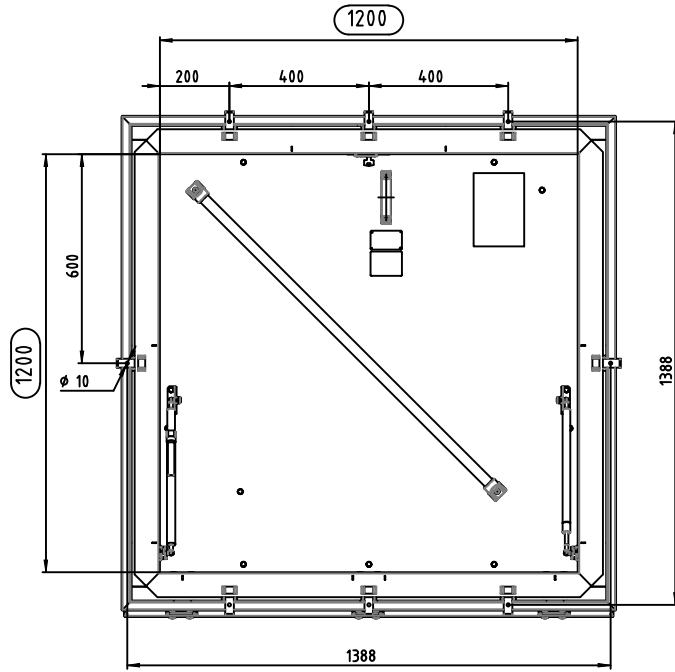
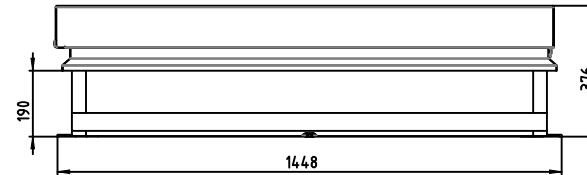
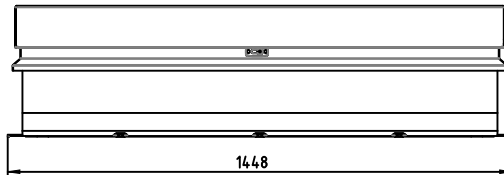
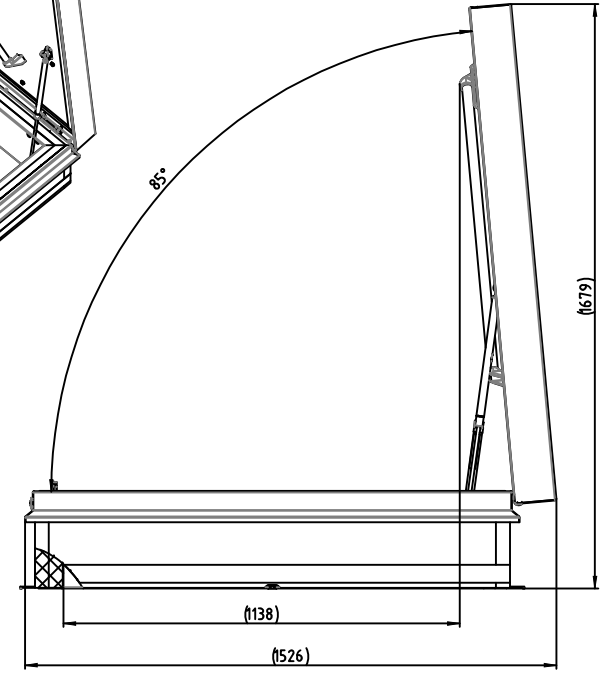


Copyright © 2017 by The Gortor Company BV - Schagen, the Netherlands
 All rights reserved. This drawing is the property of publisher and incorporates specifications and designs in which publisher has proprietary rights.
 No part may be reproduced, stored in a database or retrieval system or published in any form or any way without prior written permission from the publisher.



SCALE 1 : 15



										The Gortor Company BV	
										PO Box 995 NL-1700 AG SCHAGEN www.gortor.nl E-mail: info@gortor.nl Tel: +31 224 21 98 61 Fax: +31 224 21 98 61	
										Designation: Roof Hatch RHT	
										Rev: 1/1 A2	
										Projection view 	
										Scale: 1:10	
										Drawing number: RHT-1200-1200	