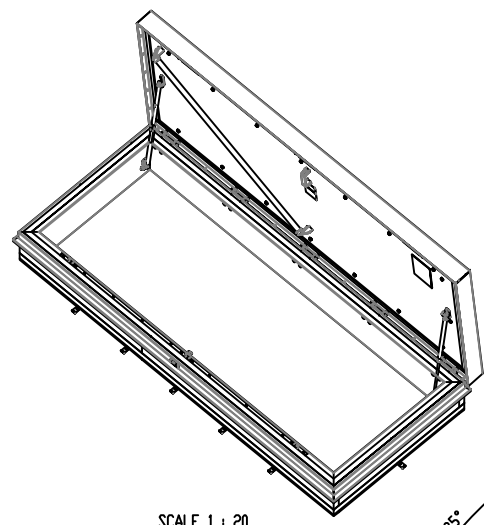
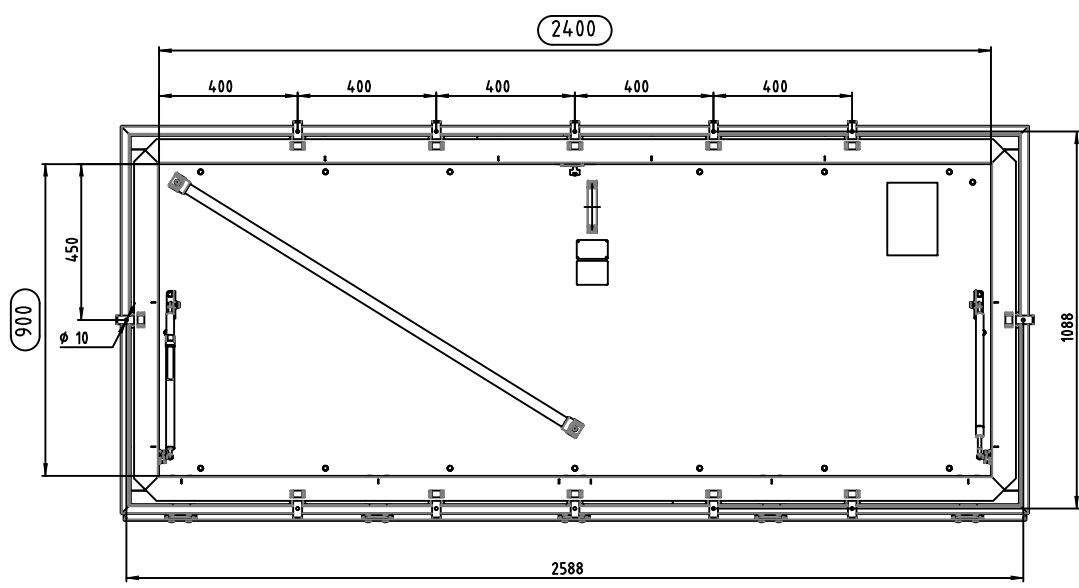
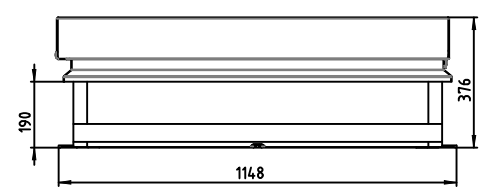
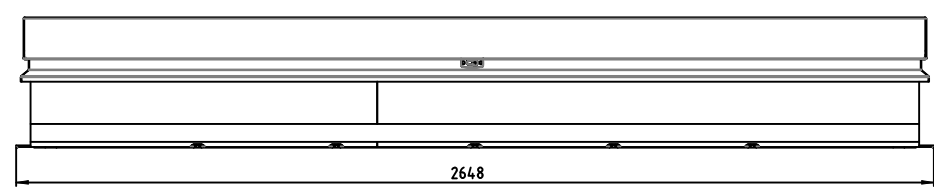
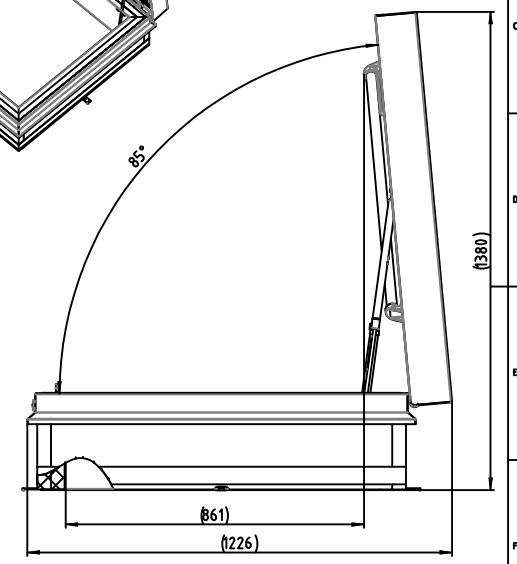


Copyright © 2017 by The Gortor Company BV - Schagen, the Netherlands
 All rights reserved. This drawing is the property of publisher and incorporates specifications and designs in which publisher has proprietary rights.
 No part may be reproduced, stored in a database or retrieval system or published in any form or any way without prior written permission from the publisher.



SCALE 1 : 20



Projection view		Scale	Designation	Rev.
		1:10	RHT-0900-2400	00
Drawing number			1/1	
			A2	

The Gortor Company BV
 PO Box 285
 NL-7740 ZJ Schagen
 www.gortor.com
 E-mail: info@gortor.com
 Tel: +31 224 21 98 00
 Fax: +31 224 21 98 11



Version: 201701V1