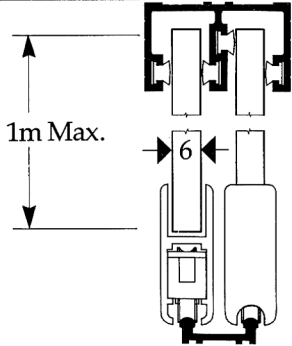
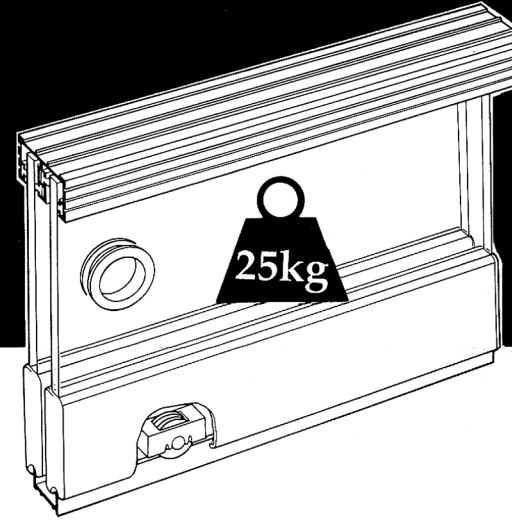
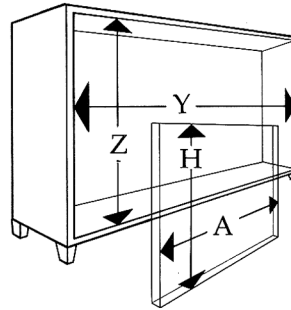
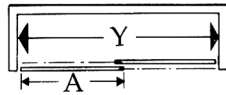


# HENDERSON ZENITH 2



Z12/2 Y= 1200 A = 1m<sup>2</sup> 25kg  
 Z15/2 Y= 1500 A = 1m<sup>2</sup> 25kg  
 Z18/2 Y= 1200 A = 1m<sup>2</sup> 25kg



$$A = \frac{1}{2} Y + 16$$

$$H = Z - 30$$

